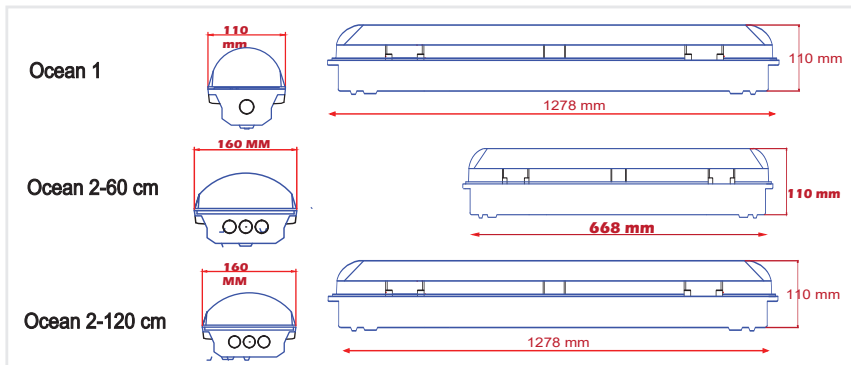


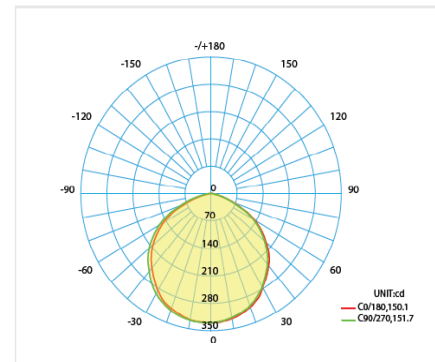
APPLICATION



DIMENSIONS



PHOTOMETRIC



PHYSICAL CHARACTERISTICS

Installation	Surface Mounted
IP - Rating	IP 66
IK - Rating	IK 10
Material Standard	Polycarbonate

ELECTRICAL / PHOTOMETRIC DATA

Light Source	Led Lamp
Color Rendering index	Ra >80
Color Temperature	4000K / 6500K
Beam Angle	120°
Glare Control	UGR < 20
Reflector	ElectroStatic coated sheet steel
Diffuser	Transparent/Opal Polycarbonate

SPECIFICATIONS

Version	Code	Power	Lamp Luminous Flux	Lamp Efficacy	Diffuser
Ocean 1 - 120 cm	OCELED1120	1X18 W	1800 Lm	100 Lm/W	Opal
	OCELED1120	2X18 W	3600 Lm		Transparent
Ocean 2 - 60 cm	OCELED260	2X9 W	1800 Lm	100 Lm/W	Opal
	OCELED360	3X9 W	2700 Lm		Transparent
Ocean 2 - 120 cm	OCELED2120	2X18 W	3600 Lm	100 Lm/W	Opal
	OCELED2120	3X18 W	5400 Lm		Transparent

MISCELLANEOUS SPECIFICATIONS

Energy Class	Mains Voltage	Frequency	Safety Class	Operational Temp.	Rated Service Life(H)
A+	220 - 240 V AC	50 / 60 Hz	II	-10° C / + 45° C	25.000 Hrs

Note:
 "-01" << for Opal PolyCarbonate Diffuser.
 "1T" << for fixture with battery.
 High Lumen Lamps are available with 6500K, 125 Lm/W and 50.000Hrs life time.