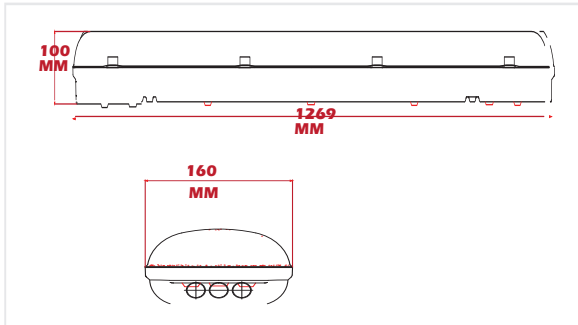


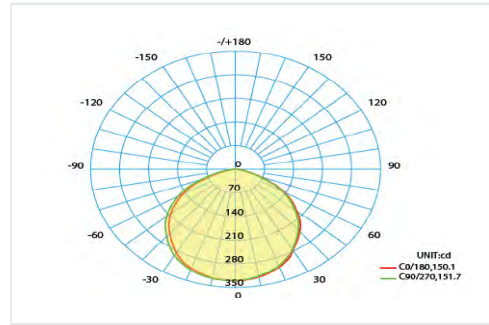
## APPLICATION



## DIMENSIONS



## PHOTOMETRIC



## PHYSICAL CHARACTERISTICS

Installation	Surface Mounted
Height	100 mm
Length x Width	1269X160 mm
IP - Rating	IP 67
IK - Rating	IK 10
Material Standard	Polycarbonate

## ELECTRICAL / PHOTOMETRIC DATA

Light Source	TCI LM560/24E44 - LumiLed 2835R
Led Chip efficacy	Up to 164 Lm/W
Chromaticism Tolerance	3- Step Mac Adams
Color Rendering index	Ra >80
Color Temperature	3000K /4000K / 5700K
Beam Angle	120°
Glare Control	UGR < 20
Reflector	ElectroStatic coated sheet steel
Diffuser	Transparent/Opal Polycarbonate

## SPECIFICATIONS

Code	Power	Chip Luminous Flux	Total Luminous Flux	System Efficacy	Diffuser
MAR212040LED-TCI-**	40 W	6560 lm	5200 lm	130 Lm/W	Transparent
MAR212045LED-TCI-**	45 W	7380 lm	5850 lm		
MAR212050LED-TCI-**	50 W	8200 lm	6500 lm		
MAR212040LED-TCI-**-01	40 W	6560 lm	4280 lm	107 Lm/W	Opal PolyCarbonate
MAR212045LED-TCI-**-01	45 W	7380 lm	4815 lm		
MAR212050LED-TCI-**-01	50 W	8200 lm	5350 lm		
MAR212040LED-LM-**	40 W	6560 lm	5200 lm	130 Lm/W	Transparent
MAR212045LED-LM-**	45 W	7380 lm	5850 lm		
MAR212050LED-LM-**	50 W	8200 lm	6500 lm		
MAR212040LED-LM-**-01	40 W	6560 lm	4280 lm	107 Lm/W	Opal PolyCarbonate
MAR212045LED-LM-**-01	45 W	7380 lm	4815 lm		
MAR212050LED-LM-**-01	50 W	8200 lm	5350 lm		

## DRIVER OPTIONS / SPECIFICATIONS

Driver	MAX. Output Power	Output Current	Power Factor	Operational Temperature	Efficiency η	AC operate V
TCI MP50/350	50 W	100-350 mA	>0.95	-20°C~50°C	>90	198-264VAC

## MISCELLANEOUS SPECIFICATIONS

Energy Class	Mains Voltage	Frequency	Safety Class	Operational Temp.	Rated Service Life (H)
A+	220-240 VAC	50/60 Hz	II	-20° C / + 50° C	50.000 Hrs