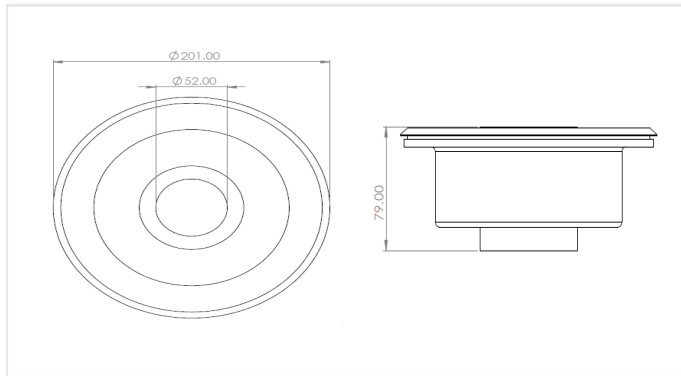


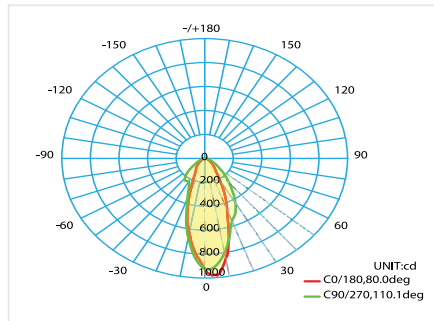
APPLICATION



DIMENSIONS



PHOTOMETRIC



PHYSICAL CHARACTERISTICS

Installation	Recessed Mounted
External Diameter	201 mm
Internal Diameter	52 mm
Height	79 mm
IP - Rating	IP 68
IK - Rating	IK10
Material Standard	Stainless Steel

ELECTRICAL / PHOTOMETRIC DATA

Light Source	SMD LED chip
Chip Brand	Cree-3030
Color Rendering Index	Ra<80
Color Temp.	3000K
Glare Control	UGR<20
Diffuser	Glass
Power Factor	>0.95

SPECIFICATIONS

Code	Power	Total Luminous Flux	System Efficacy
UW3018-R	18 W	1620 Lm	90 Lm/w

MISCELLANEOUS SPECIFICATIONS

Energy Class	Mains Voltage	Frequency	Safety Class	Operational Temp.	Rated Service Life (H)
A+	220-240 VAC	50 / 60 Hz	II	-25° C / + 50° C	50.000 Hrs