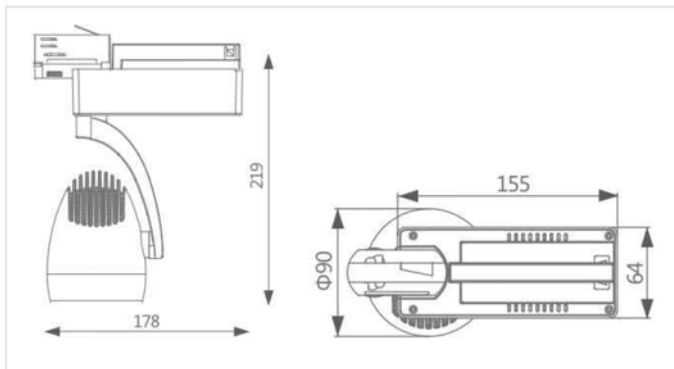


APPLICATION



DIMENSIONS



PHYSICAL CHARACTERISTICS

Installation	Track
Cut - out Size	None
Depth / Height	219 mm
Length	155 mm
Width / Diameter	90 mm
Reflector/Diffuser	Aluminium Reflector
Adjustability	Adjustable
IP - Rating	IP 20
IK - Rating	IK 02
Fixture Material	Die Cast Aluminium
Standard Finish	Ral 9010 Pure white
Custom Colour	Available

ELECTRICAL / PHOTOMETRIC DATA

Light Source	COB - Cree (1820)
Chromaticity Tolerance	3 - Step Mac Adams
Nominal Power	25W
Nom Luminous Flux	3380Lm
Nominal Efficacy System	147 Lm / W
Power Luminaire	25W
Luminous Flux System	2925 Lm
Efficacy	117 Lm/W
Color Rendition	Ra >80
Color Temperature Options	3000K / 4000K / 5700K
Beam Angle	40° 24° 15°
Glare Control	UGR < 20

DRIVER OPTIONS / SPECIFICATIONS

Code	Power	Driver	Efficiency	Out put Current	Power Factor
TL-1068-LED-**-LIF-0*	25W	Lifud-LF-GIF030YA II	>90%	600mA	>0.9

MISCELLANEOUS SPECIFICATIONS

Energy Class	Mains Voltage	Frequency	Safety Class	Operational Temp.	Rated Service Life (H)
A+	220 - 240 V AC	50 / 60 Hz	II	- 20° C / + 50° C	50.000 Hrs

SPECIFICATIONS

**<<<3K/4K/6K
3K<<3000K
4K<<4000K
6K<<5700K

*<<<1/2
1<<Black
2<<White