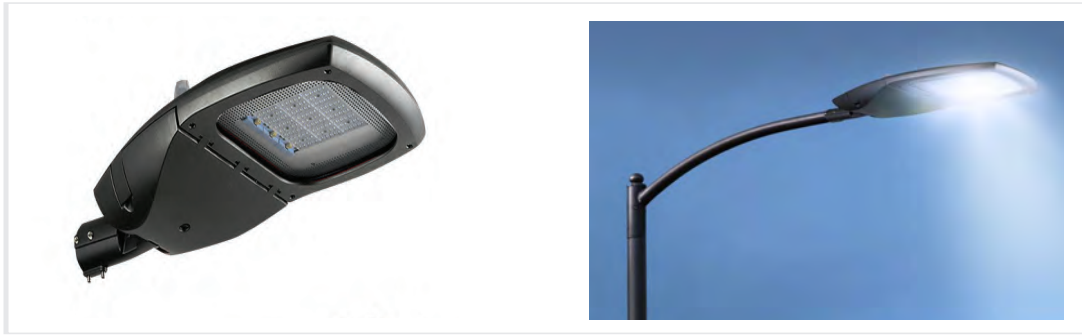
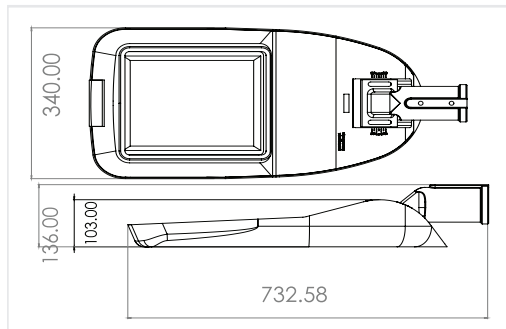


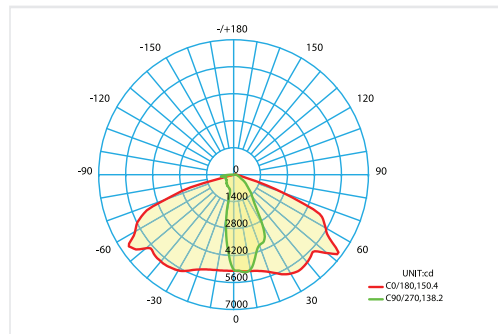
APPLICATION



DIMENSIONS



PHOTOMETRIC



PHYSICAL CHARACTERISTICS

Installation	Adjustable Arm mounting
Cut - out Pole Size	60 mm
Depth / Height	103 mm
Length	732.58 mm
Width	340 mm
IP - Rating	IP 66
IK - Rating	IK 09 at 50° C
Fixture Material	Die Cast Aluminium
Standard Finish	Electrostatic Grey Painted
Colour	Available

ELECTRICAL / PHOTOMETRIC DATA

Light Source	Osram / LumiLed
LED chip efficacy	156 lm/W / 170 lm/W
LED chip Luminous Flux	160 lm / W
Chromaticism Tolerance	5 - Step Mac Adams
Color Rendering index	Ra >70
Color Temperature	4000K / 5700K
Beam Angle	120°
Glare Control	UGR < 20
Reflector	PC Frame
Diffuser	Tempered Glass

**Note: for specified**  
 \*\*>>>"60">>>5700K  
 \*\*>>>"40">>>4000K

SPECIFICATIONS

Code	Power	System Efficacy	Total Luminous Flux	Driver
EGST50757**OSLED	50 W	135 Lm / W	6750 Lm	Philips Xitanium Driver 75W 700mA 0-10V Dim
EGST75107**OSLED	75 W		10125 Lm	Philips Xitanium Driver 100W 700mA 0-10V Dim
EGST10080**OSLED	80 W		10800 Lm	Philips Xitanium Driver 100W 700mA 0-10V Dim
EGST10105**OSLED	100 W		13500 Lm	Philips Xitanium Driver 100 W 530mA 0-10 V Dim
EGST10157**OSLED	100 W		13500 Lm	Philips Xitanium Driver 100 W 700 mA 0-10 V Dim
EGST10155**OSLED	100 W		13500 Lm	Philips Xitanium Driver 150 W 700 mA 0-10 V Dim
EGST12157**OSLED	125 W		16800 Lm	Philips Xitanium Driver 150 W 530 mA 0-10 V Dim
EGST12155**OSLED	140 W		18900 Lm	Philips Xitanium Driver 150 W 530 mA 0-10 V Dim

DRIVER OPTIONS / SPECIFICATIONS

Driver	Power	Output Current	Power Factor	Temp. °C	Efficiency η	AC operate V η
Philips Xitanium Driver 75W 700mA 0-10V Dim	50 W	700 mA	>0.95	-40°C~55°C	>90	110-277 VAC
Philips Xitanium Driver 100W 700mA 0-10V Dim	75 W	700 mA		-40°C~55°C		110-277 VAC
Philips Xitanium Driver 100W 530mA 0-10V Dim	80 W	350 mA		-40°C~55°C		202-254 VAC
Philips Xitanium Driver 150W 700mA 0-10V Dim	100 W	700 mA		-40°C~55°C		202-254 VAC
Philips Xitanium Driver 150W 700mA 0-10V Dim	125 W	700 mA		-40°C~55°C		110-277 VAC
Philips Xitanium Driver 150W 700mA 0-10V Dim	140 W	700 mA		-40°C~55°C		110-277 VAC

MISCELLANEOUS SPECIFICATIONS

Energy Class	Mains Voltage	Frequency	Safety Class	Operational Temp.	Rated Service Life (H)
A+	220 - 240VAC	50 / 60 Hz	II	-20° C / + 50° C	60.000 Hrs