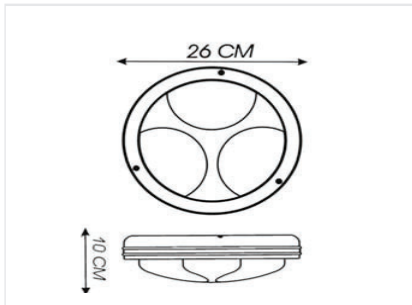


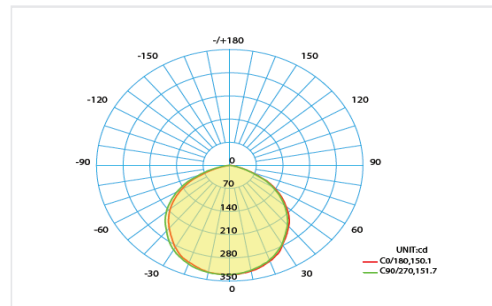
## APPLICATION



## DIMENSIONS



## PHOTOMETRIC



## PHYSICAL CHARACTERISTICS

Installation	Surface Mounted
Height	100 mm
Length	-----
Diameter	260 mm
IP - Rating	IP 65
IK - Rating	IK 10
Material	Poly Carbonate
Color	Available

## ELECTRICAL / PHOTOMETRIC DATA

Light Source	Osram / LumiLed
Driver Brand	TCI drivers
LED chip efficacy	150 lm/W / 170 lm/W
Chromaticity Tolerance	3 - Step Mac Adams
Color Rendering Index	Ra >80
Color Temp.	3000K/4000K/5700K
Beam Angle	120°
Glare Control	UGR < 20
Diffuser	Opal Diffuser

## SPECIFICATIONS

Code	Chip Type	Power	Total Luminous Flux	System Efficacy	Driver
PLF0601LED0801	Osram	8 W	840 Lm	105 Lm/W	TCI ProFlat 22
PLF0601LED1201		12 W	1260 Lm		TCI ProFlat 22
PLF0601LED1501		15 W	1575 Lm		TCI ProFlat 22
PLF0601LED1801		18 W	1890 Lm		TCI ProFlat 22
PLF0601LED2401		24 W	2520 Lm		TCI ProFlat 30
PLF0601LULED0801	Lumiled	8 W	880 Lm	110 Lm/W	TCI ProFlat 22
PLF0601LULED1201		12 W	1320 Lm		TCI ProFlat 22
PLF0601LULED1501		15 W	1650 Lm		TCI ProFlat 22
PLF0601LULED1801		18 W	1980 Lm		TCI ProFlat 22
PLF0601LULED2401		24 W	2640 Lm		TCI ProFlat 30

## DRIVER OPTIONS / SPECIFICATIONS

Driver	Power	Output Current	Power Factor	Ampient Temp. °C	Efficiency η	AC operate VAC
TCI ProfFlat 22	22 W	125mA-500 mA	>0.95	-25°C~50°C	>98	198-264 VAC
TCI ProfFlat 30	30 W	350mA-725 mA	>0.95			

## MISCELLANEOUS SPECIFICATIONS

Energy Class	Mains Voltage	Frequency	Safety Class	Operational Temp.	Rated Service Life (H)
A+	220 - 240 V AC	50 / 60 Hz	II	-20° C / + 50° C	50.000 Hrs