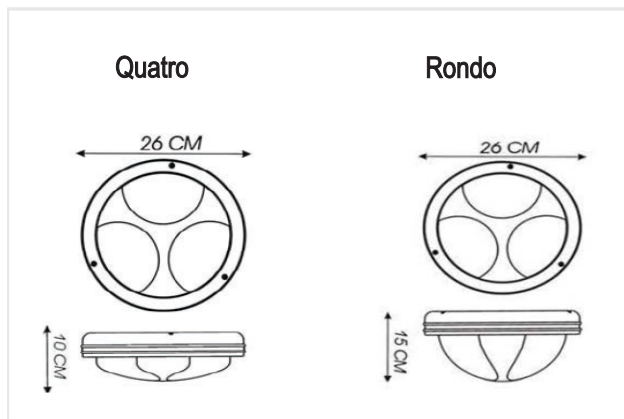


APPLICATION



DIMENSIONS



PHYSICAL CHARACTERISTICS

Installation	Surface Mounted
Types	Quatro - Rondo
Depth / Height	100 - 150 mm
Diameter	260 mm
IP - Rating	IP 65
Material Standard	ABS

ELECTRICAL / PHOTOMETRIC DATA

Light Source	Led Lamps
Color Rendering Index	Ra >80
Color Temp.	3000K - 6500K
Beam Angle	120°
Glare Control	UGR < 20
Diffuser	Polycarbonate

SPECIFICATIONS

Code	Power	Lamp Luminous Flux	Lamp Efficacy
Plafoniere-6	1 x 9 W	900 Lm	100 Lm/W
	1 x 12 W	1200 Lm	
	1 x 15 W	1500 Lm	
Plafoniere-12	1 x 9 W	900 Lm	100 Lm/W
	2 x 9 W	1800 Lm	
	1 x 12 W	1200 Lm	
	2 x 12 W	2400 Lm	
	1 x 15 W	1500 Lm	
	2 x 15 W	3000 Lm	

MISCELLANEOUS SPECIFICATIONS

Energy Class	Mains Voltage	Frequency	Safety Class	Operational Temp.	Rated Service Life (H)
A+	220 - 240 V AC	50 / 60 Hz	II	-10° C / + 45° C	30.000 Hrs