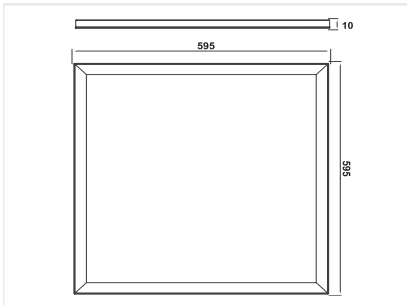


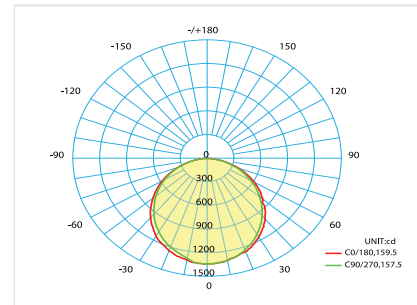
APPLICATION



DIMENSIONS



PHOTOMETRIC



PHYSICAL CHARACTERISTICS

Installation	Recessed Mounted / Surface Mounted by using Surface frame
Depth / Height	10 mm
LengthxWidth	595x595mm
IP - Rating	IP 40
IK - Rating	IK 02
Fixture Material	Aluminum Frame with sheet steel back
Standard Finish	Electrostatic White Coating

ELECTRICAL / PHOTOMETRIC DATA

Light Source	LED Module-SMD
LED chip efficacy	150 Lm/W
Chromaticity Tolerance	3 - Step Mac Adams
Color Rendering index	Ra >80
Color Temperature	4000K - 6000K
Beam Angle	120°
Glare Control	UGR < 20
Reflector/Diffuser	Opal Diffuser

SPECIFICATIONS

Code	Power	Total Luminous Flux	System Efficacy	Driver
CPS-E4A40-*000K-HC-PH CPS-E4A40-*000K-HC-PH-01 CPS-E4A40-*000K-HC-VS CPS-E4A40-*000K-HC-VS-01 CPS-E4A40-*000K-HC-OS CPS-E4A40-*000K-HC-TCI CPS-E4A40-*000K-HC-LF	40 W	4000 Lm	100 Lm/W	Philips - Certa Drive 44W 1.05A 42V 230V Philips - Xitanium 44W 0.9-1.05A 42V DS I 230V V.Scwhabe - 44W ECXe 1050.344 V.Scwhabe - 44W ECXe 1050.482 Osram - OT FIT 40/200...240/1A0 CS TCI - Proflat 40 Lifud - LF-GIF040YS

DRIVER OPTIONS / SPECIFICATIONS

Driver	Power	Output Current	Power Factor	Temp. °C	Efficiency η	AC operate V
Philips - Certa Drive 44W 1.05A 42V 230V	44 W	1050 mA	>0.9	-20°C~50°C	>90	220-240VAC
Philips - Xitanium 44W 0.9-1.05A 42V DS I 230V	44 W		>0.9	-20°C~40°C		
V.Scwhabe - 44W ECXe 1050.344	44 W		>0.9	-25°C~60°C		
V.Scwhabe - 44W ECXe 1050.482	44 W		>0.95	-20°C~50°C		
Osram - OT FIT 40/200...240/1A0 CS	40 W		>0.95	-20°C~50°C		
TCI - Proflat 40	44 W		>0.95	-25°C~50°C		
Lifud - LF-GIF040YS	42 W		>0.95	-30°C~45°C		

MISCELLANEOUS SPECIFICATIONS

Energy Class	Mains Voltage	Frequency	Safety Class	Operational Temp.	Rated Service Life (H)
+A	220 - 240 vAC	50/60Hz	II	-25° C / + 50° C	50.000 Hrs

Specification

\*\*\*\*\*K">>4000K>>4000K  
\*\*\*\*\*K">>6000K>>6000K