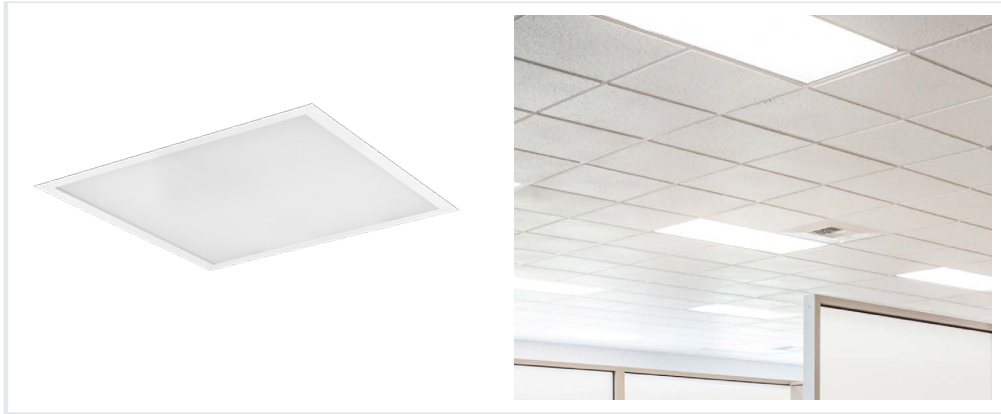
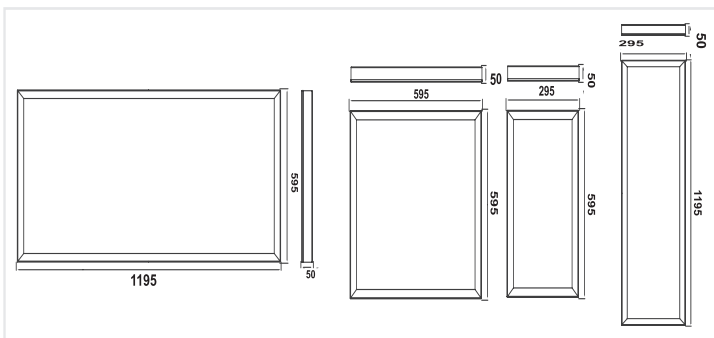


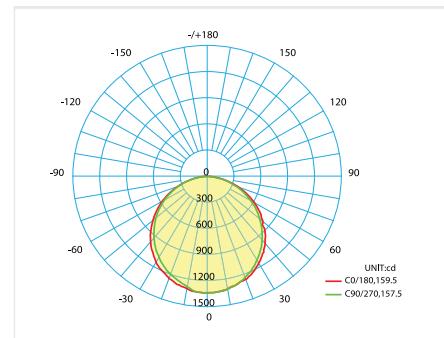
APPLICATION



DIMENSIONS



PHOTOMETRIC



PHYSICAL CHARACTERISTICS

Installation	Surface/Recessed
Depth / Height	50 mm
LengthxWidth	595x295mm - 595x595mm - 1195x295mm - 1195x595 mm
IP - Rating	IP 40/54/65
IK - Rating	IK 02
Fixture Material	Sheet steel
Standard Finish	Electrostatic Coated

ELECTRICAL / PHOTOMETRIC DATA

Light Source	TCI Led Chip/Lumiled 2835R
LED chip code	LM560/24E44
LED chip efficacy	Up to 164 lm/W
Chromatics Tolerance	3 - Step Mac Adams
Color Rendering index	Ra >80
Color Temperature	3000K / 4000K / 5700K
Beam Angle	120°
Glare Control	UGR < 20
Diffuser	Prismatic diffuser

SPECIFICATIONS

Code	Dimensions	Power	Total Luminous Flux	System Efficacy
PNL***-E2A28-P*-TCI/*K	595x295 mm	28 W	3080 lm	110 lm/w
PNL***-E4A40-P*-TCI/*K	595x595 mm	40 W	4400 lm	
PNL***-E4A45-P*-TCI/*K	595x595mm	45 W	4950 lm	
PNL***-E4A50-P*-TCI/*K	595x595 mm	50 W	5500 lm	
PNL***-E3A40-P*-TCI/*K	1195x295mm	40 W	4400 lm	
PNL***-E3A45-P*-TCI/*K	1195x295 mm	45 W	5950 lm	
PNL***-E3A50-P*-TCI/*K	1195x295 mm	50 W	5500 lm	
PNL***-E6A80-P*-TCI/*K	1195x595 mm	80 W	8800 lm	

Specification

PNL***>PNL660>>Recessed Luminaire
PNL***>PNL820>>Surface Luminaire

LM>For Lumiled Led Chip
TCI>For TCI Module

**K">>3K>>3000K
**K">>4K>>4000K
**K">>5K>>5700K

P*>>P1>>IP40
P*>>P5>>IP54
P*>>P6>>IP65

DRIVER OPTIONS / SPECIFICATIONS

Driver	Power	Output Current	Power Factor	Temp. °C	Efficiency η	AC operate V
TCI MP50/350	50 W	350 mA	>0.95	-20°C~50°C	>90	198-264VAC

MISCELLANEOUS SPECIFICATIONS

Energy Class	Mains Voltage	Frequency	Safety Class	Operational Temp.	Rated Service Life (H)
+A	220 - 240 vAC	50/60Hz	II	-25° C / + 50° C	50.000 Hrs