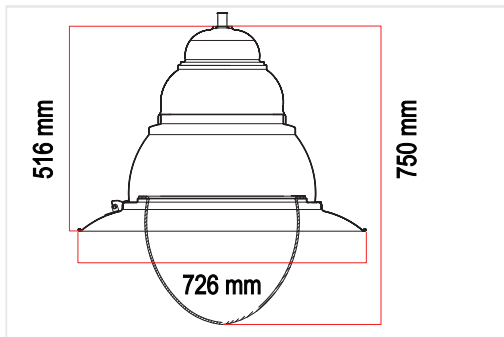


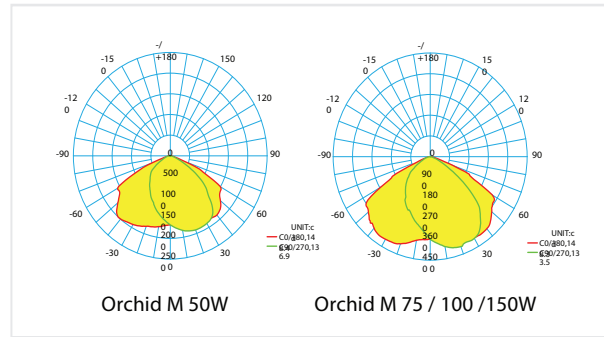
APPLICATION



DIMENSIONS



PHOTOMETRIC



PHYSICAL CHARACTERISTICS

Installation	Suspended
Cut - out Pole Size	-----
Depth / Height	750 mm
Length	-----
Width / Diameter	726 mm
IP - Rating	IP 65
IK - Rating	IK 08
Fixture Material	Aluminium
Standard Finish	Electrostatic Black
Colour	Available

ELECTRICAL / PHOTOMETRIC DATA

Light Source	Osram/Lumiled
LED chip efficacy	148lm/W-170 lm/W
Chromaticity Tolerance	5 - Step Mac Adams
Colour Rendering index	Ra>80
Colour Temperature	4000K / 5700K
Beam Angle	120°
Glare Control	UGR < 20
Reflector	Aluminium
Diffuser	Acrylic
Driver Brand	Philips/Meanwell

SPECIFICATIONS

Code	Power	Total Luminous Flux	LED Chip Efficacy
EGSD15040OSLED-^A_**	50W	5324 lm	148 lm/W
EGSD17540OSLED-^A_**	75W	7700 lm	
EGSD110040OSLED-^A_**	100W	10300 lm	
EGSD115040OSLED-^A_**	150W	15200 lm	
EGSD15040LMLED-^A_**	50W	5500 lm	170 lm/W
EGSD17540LMLED-^A_**	75W	7950 lm	
EGSD110040LMLED-^A_**	100W	10600 lm	
EGSD115040LMLED-^A_**	150W	15900 lm	

Note: for specified CCT
 **** >>>> 40 >>>>4000K
 **** >>>> 60 >>>>5700K
 A>>>PH>>>Philips driver
 A>>>MN>>>Meanwell driver
 LM:for Lumiled chip
 OS:for Osram chip

MISCELLANEOUS SPECIFICATIONS

Energy Class	Mains Voltage	Frequency	Safety Class	Temp.	Rated Service Life (H)
A+	220-240v AC	50/60Hz	II	-20° C / + 50° C	50.000 Hrs