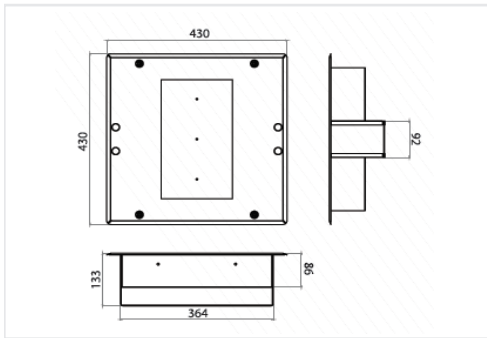


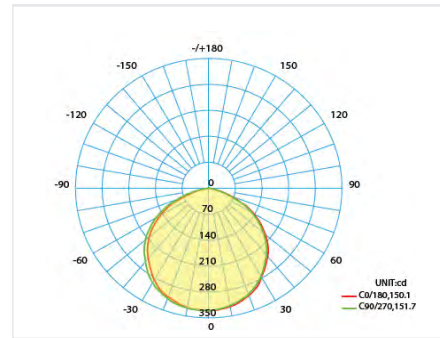
## APPLICATION



## DIMENSIONS



## PHOTOMETRIC



## PHYSICAL CHARACTERISTICS

Installation	Recessed Mounted
Cut - out Pole Size	364x364 mm
Depth / Height	133 mm
Length	430 mm
Width / Diameter	430 mm
IP - Rating	IP 65
IK - Rating	IK 08
Fixture Material	Die Cast Aluminum
Standard Finish	Electrostatic Painted
Color	White

## ELECTRICAL / PHOTOMETRIC DATA

Light Source	Osram / LumiLed
LED chip efficacy	156 - 170lm/W
Chromaticism Tolerance	5 - Step Mac Adams
Color Rendering index	Ra >70
Color Temperature	3000K-4000K- 5700K
Beam Angle	120°
Glare Control	UGR < 20
Reflector	None
Diffuser	Tempered Glass

## SPECIFICATIONS

Code	Power	LED chip Luminous Flux	Total Luminous Flux	System Efficacy
ERLB4050LED-SMD-LM-**-40	50 W	7800 lm	5966 lm	125 lm/W
ERLB4075LED-SMD-LM-**-40	75 W	11700 lm	8850 lm	124 lm/W
ERLB4100LED-SMD-LM-**-40	100 W	15600 lm	12300 lm	123 lm/W
ERLB4150LED-SMD-LM-**-40	150 W	23400 lm	18450 lm	121 lm/W
ERLB4050LED-SMD-OS-**-40	50 W	8500 lm	6750 lm	135 lm/W
ERLB4075LED-SMD-OS-**-40	75 W	12700 lm	10125 lm	135 lm/W
ERLB4100LED-SMD-OS-**-40	100 W	17000 lm	13500 lm	135 lm/W
ERLB4150LED-SMD-OS-**-40	150 W	25500 lm	20500 lm	135 lm/W

Note: for specified

"60">>>>>>>5700K  
 "40">>>>>>>4000K  
 "30">>>>>>>3000K  
 OS>>>>Osram , LM>>>>LumiLED  
 "\*\*>>>>>>>>PH>>>>PhilipsDriver  
 "\*\*>>>>>>>>MN>>>>MeanWell  
 50W available with Meanwell Driver Only

## DRIVER OPTIONS / SPECIFICATIONS

Driver	Power	Output Current	Power Factor	Temp. °C	Efficiency η	AC operate V η
Meanwell XLG-100-L-A	100 W	350~1050mA	>0.95	-40°C~90°C	>90	100-305 VAC
Meanwell XLG-150-L-A	150 W	350~1050mA		-40°C~90°C		100-305 VAC
Meanwell XLG-200-L-A	200 W	350~1050mA		-40°C~90°C		100-305 VAC
Philips Xitanium Dim 75W 0.7A 1.10V TWE I250	75 W	700 mA		-40°C~55°C		110-277 VAC
Philips Xitanium 100W 0.7A 230V I175	100 W	700 mA		-40°C~55°C		202-254 VAC
Philips Xitanium 150W 0.7A 230V I175	150 W	700 mA		-40°C~55°C		202-254 VAC
Philips Xitanium Dim 100W 0.7A 1.10V TWE I220	100 W	700 mA		-40°C~55°C		110-277 VAC
Philips Xitanium Dim 150W 0.7A 1.10V 230V I220	150 W	700 mA		-40°C~55°C		110-277 VAC

## MISCELLANEOUS SPECIFICATIONS

Energy Class	Mains Voltage	Frequency	Safety Class	Operational Temp.	Rated Service Life (H)
A+	220 - 240 V AC	50 / 60 Hz	II	- 20° C / + 55° C	50.000 Hrs

Note: for specified CCT  
 5700K only available