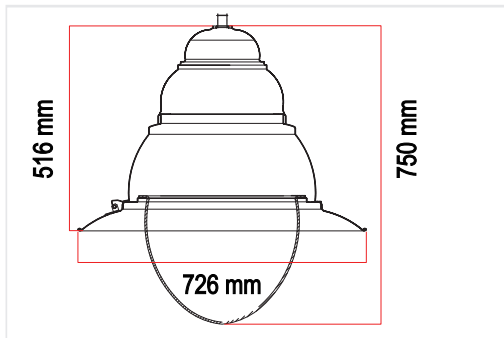


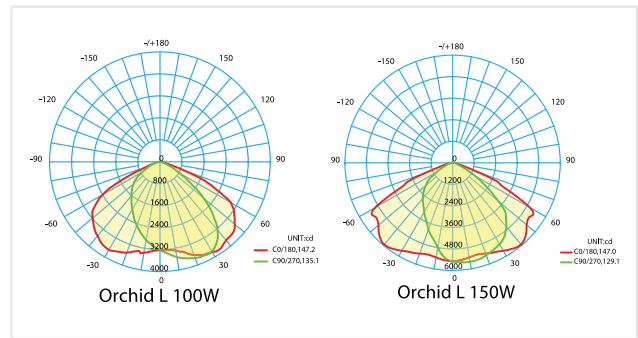
APPLICATION



DIMENSIONS



PHOTOMETRIC



PHYSICAL CHARACTERISTICS

Installation	Suspended
Cut - out Pole Size	-----
Depth / Height	750 mm
Length	-----
Width / Diameter	726 mm
IP - Rating	IP 65
IK - Rating	IK 08
Fixture Material	Aluminium
Standard Finish	Electrostatic Black
Color	Available

ELECTRICAL / PHOTOMETRIC DATA

Light Source	Osram/LUMILED
LED chip efficacy	148-170 lm/W
Chromaticity Tolerance	5 - Step Mac Adams Ra
Color Rendering index	>80
Color Temperature	4000K / 5700K
Beam Angle	120°
Glare Control	UGR < 20
Reflector	Aluminium
Diffuser	Acrylic
Driver Brand	Philips/MEANWELL

SPECIFICATIONS

Code	Power	Total Luminous Flux	LED Chip Lumen Efficacy
EGSD2075**OSLED.**	75 W	7700 LM	148 lm/W
EGSD2100**OSLED.**	100W	10300 LM	
EGSD2150**OSLED.**	100W	15200 LM	
EGSD2075**LMLED.**	150W	7900 LM	170 lm/W
EGSD2100**LMLED.**	75 W	10600 LM	
EGSD2150**LMLED.**	150W	15900 LM	

Note: for specified CCT
 *** 40 >>>> 4000K
 *** 60 >>>> 5700K
 AA >>> PH >>> Philips driver
 AA >>> MN >>> Meanwell driver
LM: for Lumiled chip
OS: for Osram chip

MISCELLANEOUS SPECIFICATIONS

Energy Class	Mains Voltage	Frequency	Safety Class	Operational Temp.	Rated Service Life (H)
+A	220-240 VAC	50/60Hz	II	-20° C / + 50° C	50.000 Hrs