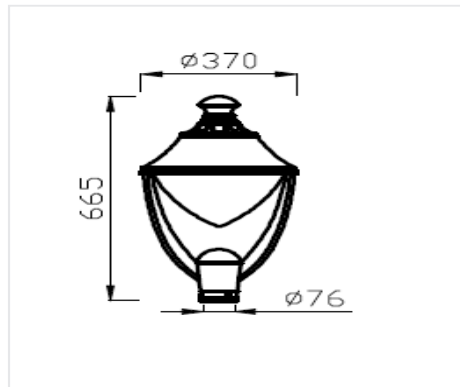


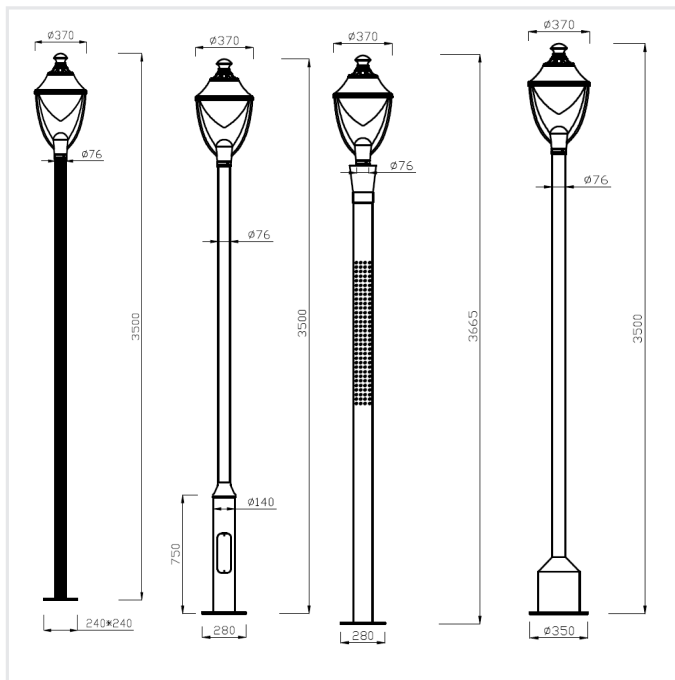
APPLICATION



DIMENSIONS



POLES



PHYSICAL CHARACTERISTICS

Installation	Pole Mounted
Length	370 mm
Height	665 mm
IP - Rating	IP 65
Body Material	Die Cast Aluminum
Standard Finish	Electrostatic painted
Color	Black

ELECTRICAL / PHOTOMETRIC DATA

Light Source	LED Lamp
Wattage	36 W
Color Rendering Index	Ra>80
Color Temp.	3000K-4000K-6000K
Glare Control	UGR < 20
Diffuser	PolyCarbonate
Power Factor	>0.95

SPECIFICATIONS

Code	Power	Total Luminous Flux	System Efficacy
G009	36 W	2160 LM	60 Lm/w

MISCELLANEOUS SPECIFICATIONS

Energy Class	Mains Voltage	Frequency	Safety Class	Operational Temp.	Rated Service Life (H)
A+	220 - 240 AC	50 / 60 Hz	II	- 25° C / + 50° C	30.000 Hrs