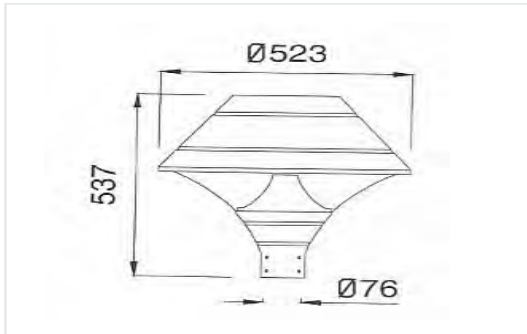


APPLICATION



DIMENSIONS



PHYSICAL CHARACTERISTICS

Installation	Pole Mounted
Length	523mm
Height	537mm
IP - Rating	IP 65
Body Material	Die Cast Aluminum
Standard Finish	Electrostatic painted
Color	Black

ELECTRICAL / PHOTOMETRIC DATA

Light Source	LED module
Wattage	36W
Color Rendering Index	Ra>80
Color Temp.	5000k
Glare Control	UGR<20
Diffuser	Poly Carbonate
Power Factor	>0.95

SPECIFICATIONS

Code	Power	System Efficacy	Total Luminous Flux
G008	36W	60 Lm/w	2160Lm

MISCELLANEOUS SPECIFICATIONS

Energy Class	Mains Voltage	Frequency	Safety Class	Operational Temp.	Rated Service Life (H)
A+	220 - 240 V AC	50 / 60 Hz	II	-20° C / + 50° C	30.000 Hrs