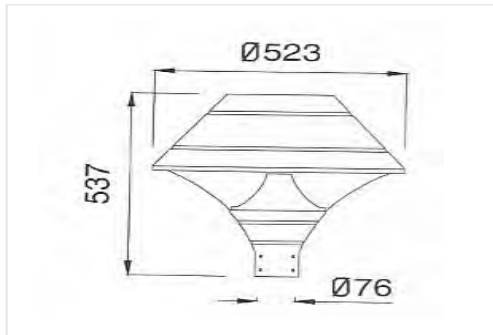


APPLICATION



DIMENSIONS



PHYSICAL CHARACTERISTICS

Installation	Pole Mounted
Length	523mm
Height	537mm
IP - Rating	IP 65
Body Material	Die Cast Aluminum
Standard Finish	Electrostatic painted
Color	Black

ELECTRICAL / PHOTOMETRIC DATA

Light Source	LED Lamp / E27
Power	30 W
Color Rendering Index	Ra>80
Color Temp.	3000K-6500K
Glare Control	UGR < 20
Diffuser	PolyCarbonate
Power Factor	>0.95

SPECIFICATIONS

Code	Power	Lamp Luminous Flux	Lmap Efficacy
G008	30 W	3000Lm	100Lm/w

MISCELLANEOUS SPECIFICATIONS

Energy Class	Mains Voltage	Frequency	Safety Class	Operational Temp.	Rated Service Life (H)
A+	220 - 240 V AC	50 / 60 Hz	II	-10° C / + 45° C	25.000 Hrs