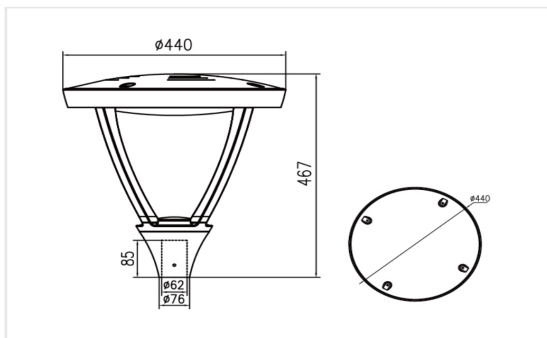


APPLICATION



DIMENSIONS



PHYSICAL CHARACTERISTICS

Installation	Pole Mounted
Diameter	440 mm
Height	467 mm
IP - Rating	IP 65
Body Material	Die Cast Aluminum
Standard Finish	Electrostatic painted
Color	Black/Grey

ELECTRICAL / PHOTOMETRIC DATA

Light Source	LED Lamp
Power	40 W
Color Rendering Index	Ra>80
Color Temp.	3000K-6500K
Glare Control	UGR < 20
Diffuser	Opal PolyCarbonate
Power Factor	>0.95

SPECIFICATIONS

Code	Power	Lamp Luminous Flux	Lmap Efficacy
G006	40 W	4800LM	120Lm/w

MISCELLANEOUS SPECIFICATIONS

Energy Class	Mains Voltage	Frequency	Safety Class	Operational Temp.	Rated Service Life (H)
A+	220 - 240 AC	50 / 60 Hz	II	-10° C / + 45° C	30.000 Hrs