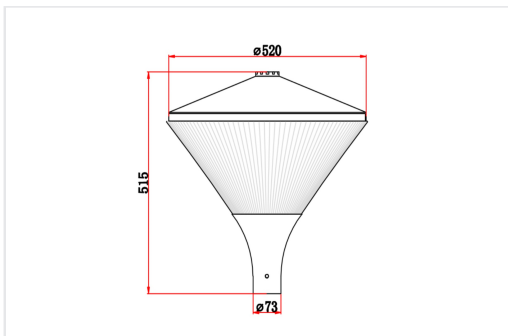


**APPLICATION**



**DIMENSIONS**



**PHYSICAL CHARACTERISTICS**

Installation	Mounted
Diameter	520mm
Height	515 mm
IP-Rating	IP 65
Body Material	Die Cast Aluminum
Standard Finish	Electrostatic Painted

**ELECTRICAL / PHOTOMETRIC DATA**

Light Source	LED Lamp
Wattage	32w
Color Rendering Index	Ra>80
Color Temp.	3000k-5000k
Glare Control	UGR<20
Diffuser	Polycarbonate
Reflector	Aluminum
Power Factor	>0.95

**SPECIFICATIONS**

Code	Power	Lamp Luminous Flux	Lmap Efficacy
G004	32 W	4800 LM	150Lm/w

**MISCELLANEOUS SPECIFICATIONS**

Energy Class	Mains Voltage	Frequency	Safety Class	Operational Temp.	Rated Service Life (H)
A+	220 - 240 V AC	50 / 60 Hz	II	-10° C / + 45° C	25.000 Hrs