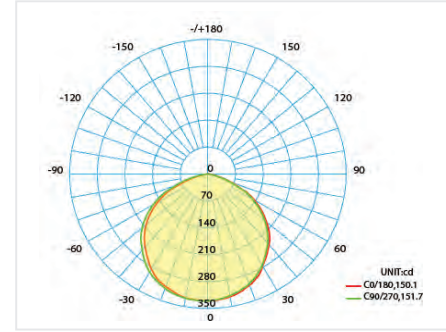


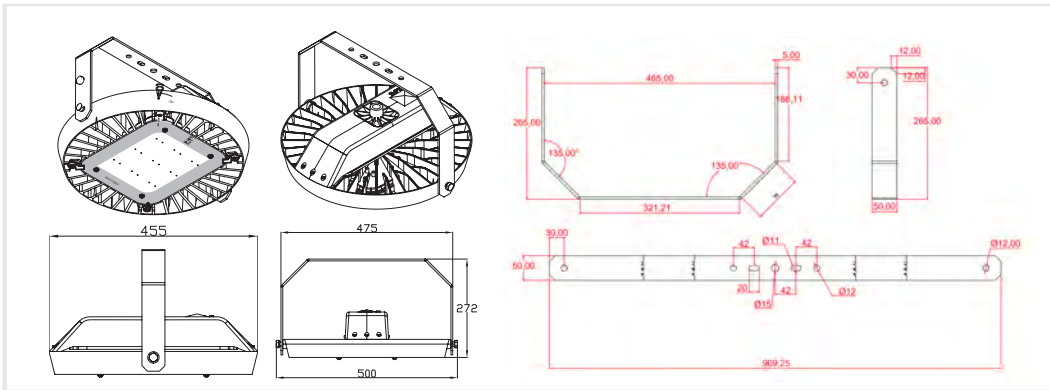
APPLICATION



PHOTOMETRIC



DIMENSIONS/BACKET



PHYSICAL CHARACTERISTICS

| | |
|---------------------|---------------------|
| Installation | By mounting bracket |
| Cut - out Pole Size | ----- |
| Depth / Height | 157 mm |
| Length | ----- |
| Width / Diameter | 455 mm |
| IP- Rating | IP 66 |
| IK - Rating | IK 08 |
| Fixture Material | Die cast Aluminium |
| Standard Finish | Electrostatic Grey |
| Colour | Available |

ELECTRICAL / PHOTOMETRIC DATA

| | |
|------------------------|-------------------|
| Light Source | OSRAM /LumiLed |
| LED chip efficacy | 148lm/W - 170Lm/W |
| Chromaticity Tolerance | 5-Step Mac Adams |
| Color Rendering Index | Ra >80 |
| Color Temperature | 4000K-5700K |
| Beam Angle | 120° |
| Glare Control | UGR < 20 |
| Reflector | None |
| Diffuser | Tempered Glass |

SPECIFICATIONS

| Code | Power | LED chip Luminous Flux | Total Luminous Flux | System Efficacy |
|------------------------------|-------|------------------------|---------------------|-----------------|
| EGYFLO-50W-LED-SMD-OS-**-60 | 50 W | 7400 lm | 5500 lm | 110 lm/W |
| EGYFLO-100W-LED-SMD-OS-**-60 | 100 W | 14800 lm | 11100 lm | |
| EGYFLO-120W-LED-SMD-OS-**-60 | 120 W | 17760lm | 13200 lm | |
| EGYFLO-150W-LED-SMD-OS-**-60 | 150 W | 22200 lm | 16500 lm | |
| EGYFLO-180W-LED-SMD-OS-**-60 | 180W | 26640lm | 19800 lm | |
| EGYFLO-200W-LED-SMD-OS-**-60 | 200W | 29600 lm | 22100 lm | |
| EGYFLO-50W-LED-SMD-LM-**-60 | 50 W | 8500 lm | 6750 lm | 135 lm/W |
| EGYFLO-100W-LED-SMD-LM-**-60 | 100 W | 17000 lm | 13500 lm | |
| EGYFLO-120W-LED-SMD-LM-**-60 | 120 W | 20400lm | 16200 lm | |
| EGYFLO-150W-LED-SMD-LM-**-60 | 150 W | 25500 lm | 20500 lm | |
| EGYFLO-180W-LED-SMD-LM-**-60 | 180W | 30600lm | 24300 lm | |
| EGYFLO-200W-LED-SMD-LM-**-60 | 200 W | 34000 lm | 27000 lm | |

Note: for specified
 60>>>>>5700K
 40>>>>>>4000K Available in LumiLed Only
 OS>>>>Osram , LM>>>>LumiLED
 **>>>>>PH>>>>PhilipsDriver
 **>>>>>>MN>>>>MeanWell
 50W/120w/180w available with Meanwell Driver Only

DRIVER OPTIONS / SPECIFICATIONS

| Driver | Power | Output Current | PowerFactor | Temp. °C | Efficiency η | AC operate V η |
|--|-------|----------------|-------------|------------|--------------|----------------|
| Meanwell XLG-100-L-A | 100 W | 350~1050mA | >0.95 | -40°C~90°C | >90 | 100-305 VAC |
| Meanwell XLG-150-L-A | 150 W | 350~1050mA | | -40°C~90°C | | 100-305 VAC |
| Meanwell XLG-200-L-A | 200 W | 350~1050mA | | -40°C~90°C | | 100-305 VAC |
| Philips Xitanium 100W 0.7A 230V I175 | 100 W | 700 mA | | -40°C~55°C | | 202-254 VAC |
| Philips Xitanium 150W 0.7A 230V I175 | 150 W | 700 mA | | -40°C~55°C | | 202-254 VAC |
| Philips Xitanium Dim 250w 0.70A 1-10v 1220 | 200 W | 700 mA | | -40°C~55°C | | 198-264 VAC |

MISCELLANEOUS SPECIFICATIONS

| Energy Class | Mains Voltage | Frequency | Operational Temp. | Rated Service Life (H) |
|--------------|----------------|-----------|-------------------|------------------------|
| A+ | 220 - 240 V AC | 50/60Hz | -20° C / + 50° C | 50.000 Hrs |