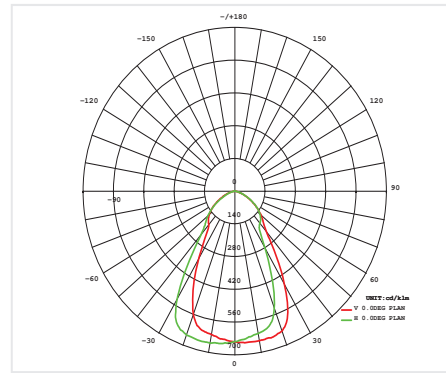


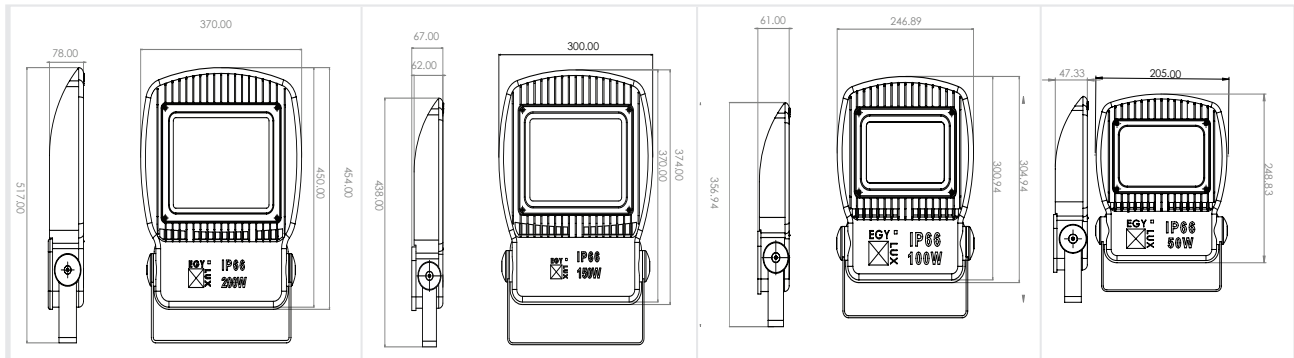
APPLICATION



PHOTOMETRIC



DIMENSIONS



PHYSICAL CHARACTERISTICS

Installation	By mounting bracket
Cut - out Pole Size	-----
Depth / Height	47/78/67/61 mm
Length	250/454/374/305
Width / Diameter	370/300/247 mm
IP - Rating	IP 66
IK - Rating	IK 08
Fixture Material	Die cast Aluminium
Standard Finish	Electrostatic Grey
Custom Color	Available

ELECTRICAL / PHOTOMETRIC DATA

Light Source	Lumiled
LED chip efficacy	140 lm/W
Chromaticity Tolerance	5 - Step Mac Adams
Color Rendering Index	Ra >80
Color Temperature	3000K-5700K
Beam Angle	120°
Glare Control	UGR < 20
Reflector	Aluminum
Diffuser	Tempered Glass
Power Factor	>0.95

SPECIFICATIONS

Code	Power	LED chip Luminous Flux	Total Luminous Flux	System Efficacy
EGYFLO-050W-LED-SMD-HC/*K	50 W	7000 Lm	5500 Lm	110 Lm/W
EGYFLO-100W-LED-SMD-HC/*K	100 W	14000 Lm	11000 Lm	
EGYFLO-150W-LED-SMD-HC/*K	150 W	21000 Lm	16500 Lm	
EGYFLO-200W-LED-SMD-HC/*K	200 W	28000 Lm	22000 Lm	

DRIVER OPTIONS / SPECIFICATIONS

Driver	Power	Output Current	Power Factor	Temp. °C	Efficiency η	AC operate V
Philips- Titanium 100W 0.7A 230V Y	100 W	700 mA	>0.95	-20°C~50°C	>90	110-305 VAC
Philips- Titanium 150W 0.7A 230V Y	150 W					

MISCELLANEOUS SPECIFICATIONS

Energy Class	Mains Voltage	Frequency	Operational Temp.	Rated Service Life (H)
A+	220 - 240 V AC	50/60Hz	-20° C / + 50° C	50.000 Hrs