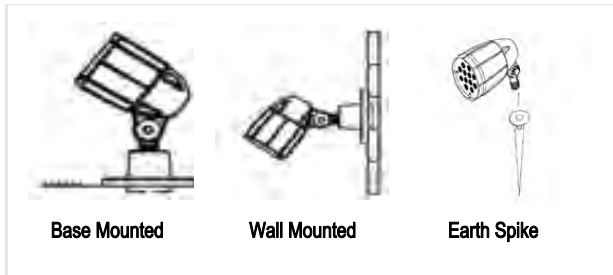


APPLICATION

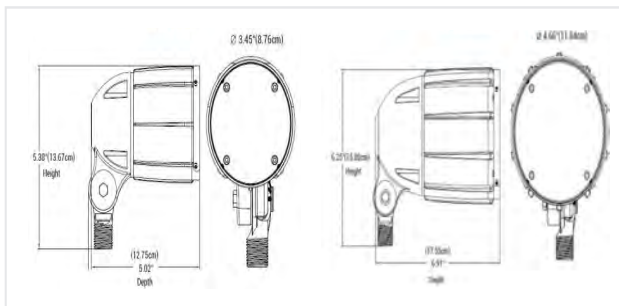


Base Mounted

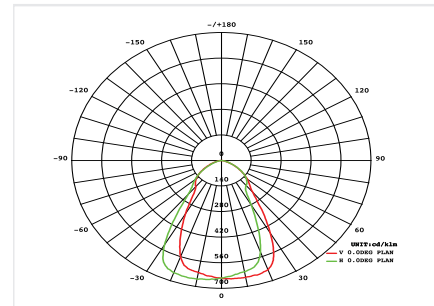
Wall Mounted

Earth Spike

DIMENSIONS



PHOTOMETRIC



PHYSICAL CHARACTERISTICS

| | |
|------------------------------|---------------------------------|
| Installation | Base/Wall/Spike |
| Cut - out Pole Size | ----- |
| Depth / Height | 127/175 mm |
| Length | ----- |
| Width / Diameter | 87/118 mm |
| IP - Rating | IP 65 |
| IK - Rating | IK 08 |
| Fixture Material | Die cast Aluminium |
| Standard Finish Custom Color | Electrostatic Painted Available |

ELECTRICAL / PHOTOMETRIC DATA

| | |
|------------------------|---------------------|
| Light Source | Seoul-semi 3030 LED |
| Chromaticism Tolerance | 5 - Step Mac Adams |
| Color Rendering index | Ra>80 |
| Color Temperature | 3000K |
| Beam Angle | 22°/35°/57° |
| Glare Control | UGR < 20 |
| Reflector | None |
| Diffuser | PMMA |

SPECIFICATIONS

| Code | Power | Total Luminous Flux | System Efficacy |
|---------------|-------|---------------------|-----------------|
| EGYFLO006W-** | 6 W | 720 Lm | 120 Lm/W |
| EGYFLO012W-** | 12W | 1440 Lm | |
| EGYFLO030W-** | 30W | 3600 Lm | |
| EGYFLO040W-** | 40W | 4800 Lm | |

Note:

**>>B>>Base Mounted
 **>>W>>Wall Mounted
 **>>RC>>Earth Spike

MISCELLANEOUS SPECIFICATIONS

| Energy Class | Mains Voltage | Frequency | Operational Temp. | Rated Service Life (H) |
|--------------|----------------|-----------|-------------------|------------------------|
| A+ | 220 - 240 V AC | 50/60Hz | -20° C / + 50° C | 50.000 Hrs |