

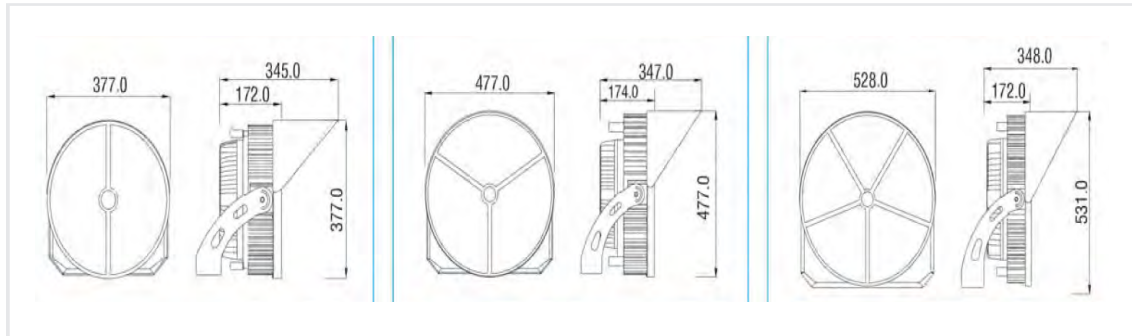
## APPLICATION



## BEAM ANGLE



## DIMENSIONS



## PHYSICAL CHARACTERISTICS

Installation	Mounted By Bracket
Depth / Height	172-174-172mm
Length	377-477-528mm
Width / Diameter	345-347-348mm
IP - Rating	IP 66
IK - Rating	IK 09
Material Standard	Die Cast Aluminum
Finish Custom	Electrostatic Painting
Color	Available

## ELECTRICAL / PHOTOMETRIC DATA

Light Source	Nichia /Cree
Chromaticism Tolerance	5-Step Mac Adams
Color Rendering index	Ra >70
Color Temperature	5700K
Beam Angle	16° / 30° / 60°/90°
Glare Control	UGR < 20
Reflector	PMMA Glass
Input Voltage	100-305VAC

## SPECIFICATIONS

Code	Power	Type of Driver	Number of Drivers	LED chip efficacy	Total Luminous Flux
EGYFLO300W-ST	300w	MeanWell :XLG-150	2 Drivers	130Lm/w	39000Lm
EGYFLO500W-ST	500w	MeanWell :XLG-240	2 Drivers		65000Lm
EGYFLO750W-ST	750w	MeanWell :XLG-240	3 Drivers		97500Lm
EGYFLO950W-ST	950w	MeanWell :XLG-200	5 Drivers		123500Lm
EGYFLO1200W-ST	1200w	MeanWell :XLG-240	5 Drivers		156000Lm

## MISCELLANEOUS SPECIFICATIONS

Energy Class	Mains Voltage	Frequency	Safety Class	Operational Temp.	Rated Service Life (H)
A+	220 - 240 V AC	50 / 60 Hz	II	-20°C / + 50° C	100.000Hrs