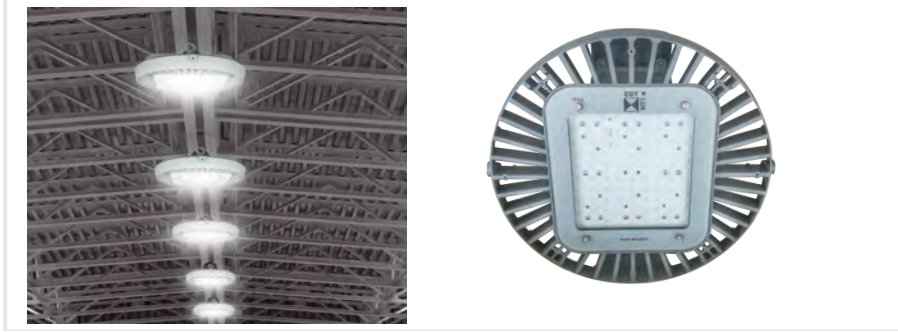
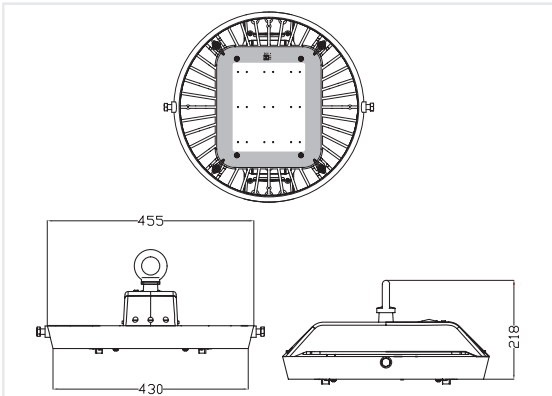


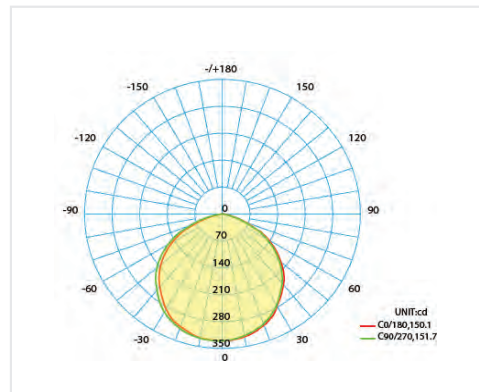
APPLICATION



DIMENSIONS



PHOTOMETRIC



PHYSICAL CHARACTERISTICS

Installation	By Hook
Cut - out Pole Size	-----
Depth / Height	157 mm
Length	-----
Width / Diameter	455 mm
IP- Rating	IP 66
IK - Rating Fixture	IK 08
Material Standard	Die cast Aluminium
Finish Custom	Electrostatic Grey
Color	Available

ELECTRICAL / PHOTOMETRIC DATA

Light Source	OSRAM /LumiLed
LED chip efficacy	148 lm/W - 170Lm/W
Chromaticity Tolerance	5-Step Mac Adams
Color Rendering Index	Ra >80
Color Temperature	4000K-5700K
Beam Angle	120°
Glare Control	UGR < 20
Reflector	None
Diffuser	Tempered Glass

SPECIFICATIONS

Code	Power	LED chip Luminous Flux	Total Luminous Flux	System Efficacy
EGYIND-50W-LED-SMD-OS-**-60	50 W	7400 lm	5500 lm	110 lm/W
EGYIND-100W-LED-SMD-OS-**-60	100 W	14800 lm	11100 lm	
EGYIND-150W-LED-SMD-OS-**-60	150 W	22200 lm	16500 lm	
EGYIND-200W-LED-SMD-OS-**-60	200 W	29600 lm	22100 lm	
EGYIND-50W-LED-SMD-LM-**-60	50 W	8500 lm	6750 lm	135 lm/W
EGYIND-100W-LED-SMD-LM-**-60	100 W	17000 lm	13500 lm	
EGYIND-150W-LED-SMD-LM-**-60	150 W	25500 lm	20500 lm	
EGYIND-200W-LED-SMD-LM-**-60	200 W	34000 lm	27000 lm	

Note: for specified
 60>>>>>5700K
 40>>>>>>>4000K Available in LumiLed Only
 OS>>>>>Osram , LM>>>>LumiLED
 **>>>>>>PH>>>>>PhilipsDriver
 **>>>>>>>MN>>>>>MeanWell
 50W/120W/180W available with Meanwell Driver Only

DRIVER OPTIONS / SPECIFICATIONS

Driver	Power	Output Current	Power Factor	Temp. °C	Efficiency η	AC operate V η
Meanwell XLG-100-L-A	100 W	350~1050mA	>0.95	-40°C~90°C	>90	100-305 VAC
Meanwell XLG-150-L-A	150 W	350~1050mA		-40°C~90°C		100-305 VAC
Meanwell XLG-200-L-A	200 W	350~1050mA		-40°C~90°C		100-305 VAC
Philips Xitanium 100W 0.7A 230V I175	100 W	700 mA		-40°C~55°C		202-254 VAC
Philips Xitanium 150W 0.7A 230V I175	150 W	700 mA		-40°C~55°C		202-254 VAC
Philips Xitanium Dim 250w 0.70A 1-10v 1220	200 W	700 mA		-40°C~55°C		198-264 VAC

MISCELLANEOUS SPECIFICATIONS

Energy Class	Mains Voltage	Frequency	Operational Temp.	Rated Service Life (H)
A+	220 - 240 V AC	50/60Hz	-20° C / + 50° C	50.000 Hrs