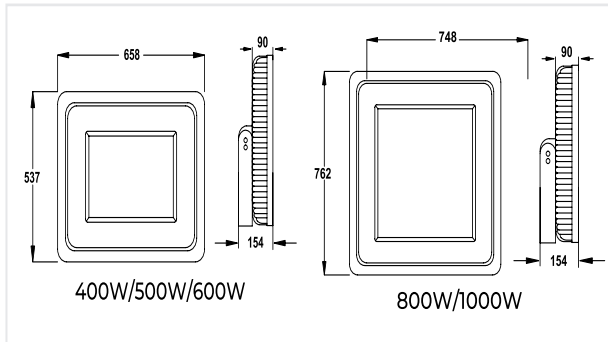


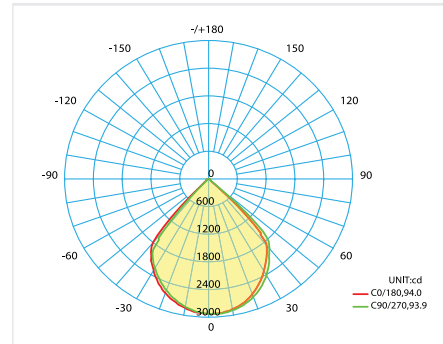
### APPLICATION



### DIMENSIONS



### PHOTOMETRIC



### PHYSICAL CHARACTERISTICS

Installation	By Base
Cut - out Pole Size	-----
Depth / Height	90 mm / 90 mm
Length	658 mm / 748 mm
Width / Diameter	537 mm / 762 mm
IP - Rating	IP 66
IK - Rating	IK 08
Fixture Material	Die cast Aluminum
Standard Finish	Electrostatic Powder Coating
Color	Available

### ELECTRICAL / PHOTOMETRIC DATA

Light Source	Lumiled SMD
Input Voltage	105-305 VAC
Chromaticity Tolerance	5 - Step Mac Adams
Color Rendering index	>80
Color Temperature	3000K- 5700K
Beam Angle	>120°
Glare Control	UGR < 20
Reflector	High mirror Aluminum
Diffuser	Tempered Glass

### SPECIFICATIONS

Code	Power	Type of Driver	Number of Drivers	Total Luminous Flux	System Efficacy
EGYFLO400W-SQ	400W	MeanWell :XLG-200	2 Drivers	48000 Lm	120 lm/W
EGYFLO500W-SQ	500W	MeanWell :XLG-240	2 Drivers	60000 Lm	
EGYFLO600W-SQ	600W	MeanWell :XLG-200	3 Drivers	72000 Lm	
EGYFLO800W-SQ	800W	MeanWell :XLG-200	4 Drivers	96000 Lm	
EGYFLO1000W-SQ	1000W	MeanWell :XLG-240	5 Drivers	120000 Lm	

### MISCELLANEOUS SPECIFICATIONS

Energy Class	Mains Voltage	Frequency	Operational Temp.	Rated Service Life (H)
A+	220 - 240 V AC	50/60Hz	-20° C / + 50° C	50.000 Hrs