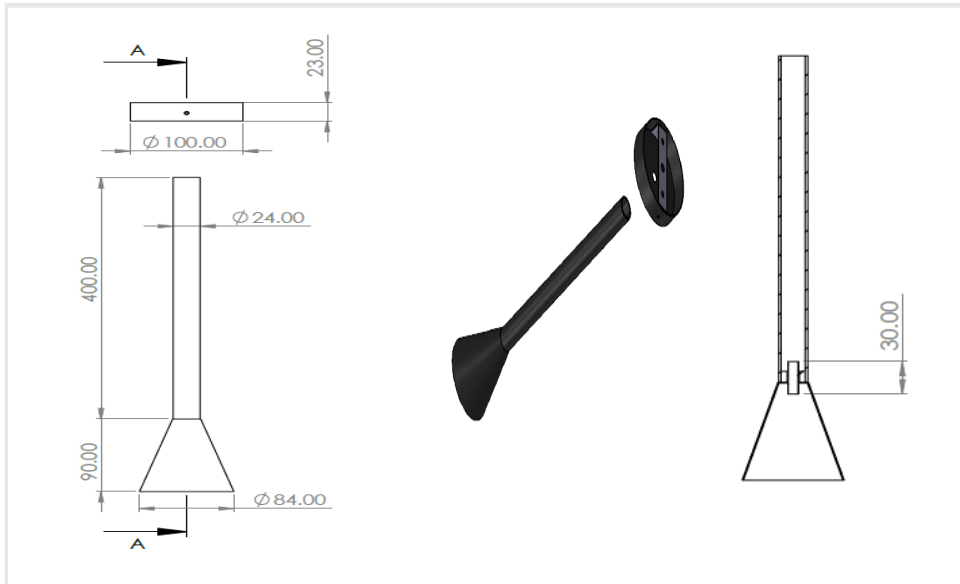


APPLICATION



DIMENSIONS



PHYSICAL CHARACTERISTICS

| | |
|-------------------|-----------------------|
| Installation | Surface Mounted |
| Length | 250 - 400 mm(+90mm) |
| Diameter | 84 mm |
| IP-Rating | IP 20 |
| Material Standard | Die Cast Aluminum |
| Finish Custom | Electrostatic Painted |
| Color | Black |

ELECTRICAL / PHOTOMETRIC DATA

| | |
|-----------------------|---------------|
| Light Source | Led Lamp -E27 |
| Color Rendering Index | Ra>80 |
| Color Temperature | 3000 K |
| Glare Control | UGR<20 |
| Power Factor | >0.95 |

SPECIFICATIONS

| Code | Length of Arm | Power | Total Luminous Flux | System Efficacy |
|--------------|---------------|-------|---------------------|-----------------|
| FORK25LED-3K | 25 cm | 5 W | 510 Lm | 100 Lm/w |
| FORK40LED-3K | 40 cm | | | |

MISCELLANEOUS SPECIFICATIONS

| Energy Class | Mains Voltage | Frequency | Safety Class | Operational Temp | Rated Service Life (H) |
|--------------|----------------|------------|--------------|------------------|------------------------|
| +A | 220V – 240V AC | 50 \ 60 Hz | II | -25°C / + 50° C | 30.000Hrs |