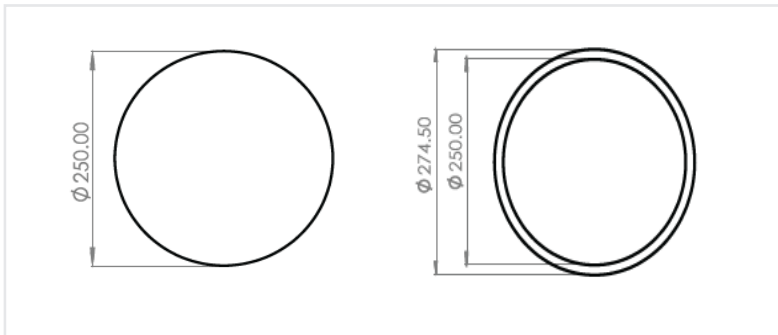


**APPLICATION**



**DIMENSIONS**



**PHYSICAL CHARACTERISTICS**

Installation	Pole Mounted
Diameter	200-250-300-400 mm
IP - Rating	IP 54
Body Material	Opal / Transparent
Base From	PS / Acrylic
Color	White & Transparent

**ELECTRICAL / PHOTOMETRIC DATA**

Light Source	LED Lamp
Color Rendering Index	Ra>80
Color Temp.	3000K / 6500K
Glare Control	UGR < 20
Power Factor	>0.95

**SPECIFICATIONS**

Globe	Code	Material	Power	Total Luminous Flux	System Efficacy
Globe 20 cm	GLS201040 GLS200040	Opal Transparent	9/12/15 W	900/1055/1521 LM	100 Lm/W
Globe 25 cm	GLS2501060 GLS2500060	Opal Transparent	9/12/15 W	900/1055/1521 LM	
Globe 30 cm	GLS3001100 GLS3000100	Opal Transparent	9/12/15/18 W	900/1055/1521/1800 LM	
Globe 40 cm	GLS4001150 GLS4000150	Opal Transparent	9/12/15/18/32 W	900/1055/1521/1800/3200LM	

**MISCELLANEOUS SPECIFICATIONS**

Energy Class	Mains Voltage	Frequency	Safety Class	Operational Temp.	Rated Service Life (H)
A+	220 - 240 V AC	50 / 60 Hz	II	-10° C / + 45° C	25.000 Hrs