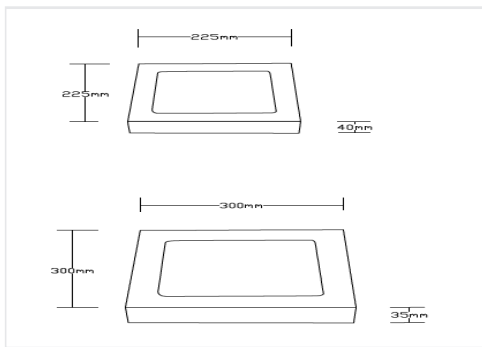


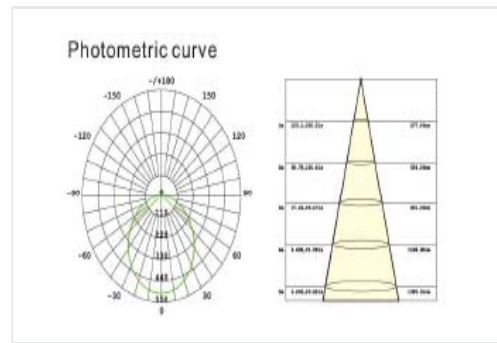
APPLICATION



DIMENSIONS



PHOTOMETRIC



PHYSICAL CHARACTERISTICS

Installation	Surface Mounted
IP - Rating	IP 20
Dimension	225*225*40mm 300*300*36mm
Material Standard	Die-Cast Aluminum
Finish Custom	Electrostatic Painted
Color	White

ELECTRICAL / PHOTOMETRIC DATA

Light Source	LED chip SMD
Chromaticism Tolerance	5 - Step Mac Adams
Color Rendering Index	Ra>80
Color Temp.	3000k-4000k-6000k
Beam Angle	120°
Glare Control	UGR < 20
Diffuser	Opal Polycarbonate
Driver Brand	EGYLUX

SPECIFICATIONS

Code	Power	LED chip Luminous Flux	System Efficacy	Dimension
EGY13-18RS	18W	1620 LM	90 lm/W	225*225*40mm
EGY13-24RS	24W	2160 LM		300*300*36mm

MISCELLANEOUS SPECIFICATIONS

Energy Class	Mains Voltage	Frequency	Safety Class	Operational Temp.	Rated Service Life (H)
A+	220 - 24 AC	50 / 60	II	-20° C / + 50° C	50.000 Hrs