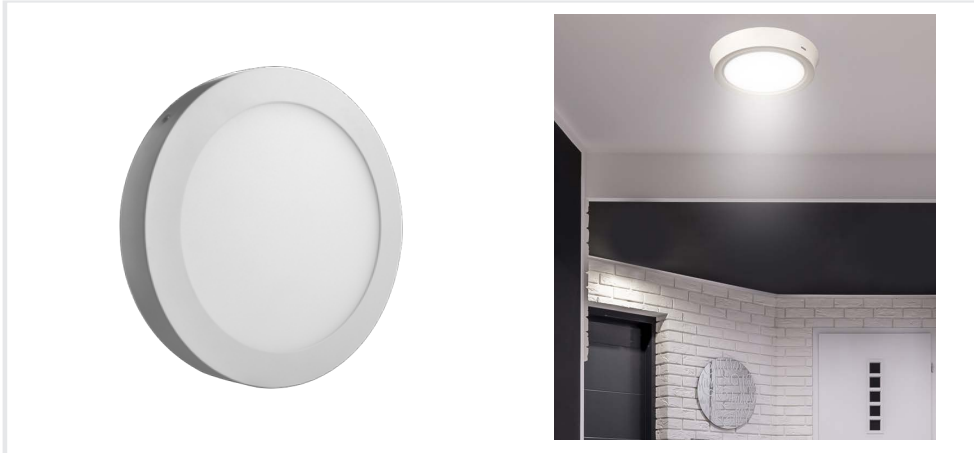
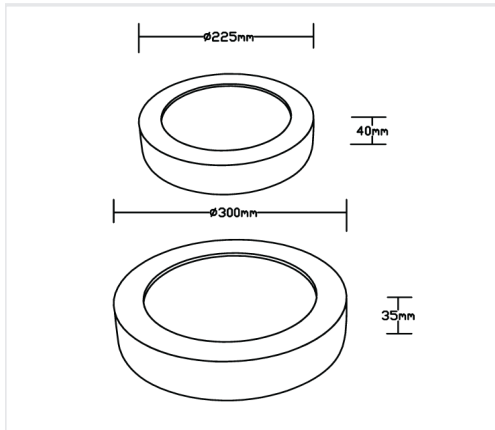


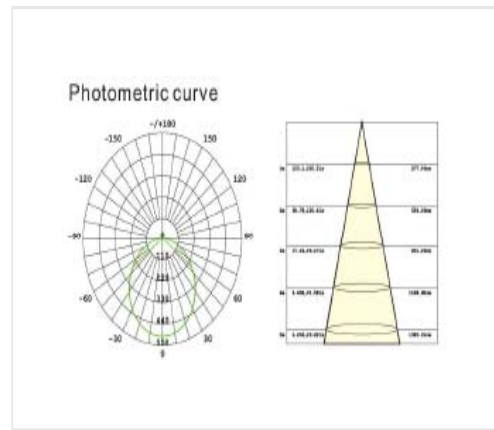
APPLICATION



DIMENSIONS



PHOTOMETRIC



PHYSICAL CHARACTERISTICS

Installation	Surface Mounted
Diameter	255 mm - 300 mm
Height	40 mm - 36 mm
IP-Rating	IP 20
Body Material	Die-Cast Aluminum
Standard Finish	Electrostatic Painted
Color	White

ELECTRICAL / PHOTOMETRIC DATA

Light Source	LED chip SMD
Chip Brand	SAMSUNG
Chromaticism Tolerance	5 - Step Mac Adams
Color Rendering Index	Ra>80
Color Temp.	3000K-4000K-6000K
Beam Angle	120°
Glare Control	UGR < 20
Diffuser	Opal Polycarbonate
Driver Brand	Lifud

SPECIFICATIONS

Code	Power	Total Luminous Flux	System Efficacy
EGY 13-22RC-***/LF	22 W	1980 Lm	90 Lm/w

MISCELLANEOUS SPECIFICATIONS

Energy Class	Mains Voltage	Frequency	Safety Class	Operational Temp.	Rated Service Life (H)
A+	220 - 240 AC	50 / 60 Hz	II	-20° C / + 50° C	50.000 Hrs