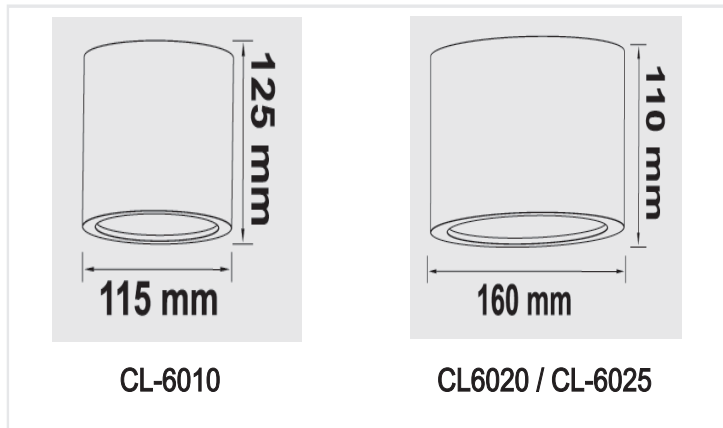


APPLICATION



DIMENSIONS



PHYSICAL CHARACTERISTICS

Installation	Surface Mounted
IP - Rating	IP 65
Material Standard	Die-Cast Aluminum
Finish Custom	Electrostatic Painted
Color	Black / White

ELECTRICAL / PHOTOMETRIC DATA

Light Source	Cree -COB
Chromaticism Tolerance	3 - Step Mac Adams
Colour Rendering Index	Ra >80
Colour Temp.	3000K -4000K-5700K
Beam Angle	100°
Glare Control	UGR < 20
Reflector	Aluminum

SPECIFICATIONS

Code	Power	Dimension	System Efficacy	LED Luminous Flux
CL6010-**	10 W	125*115 mm	105 Lm/W	1050 Lm
CL6020-**	20 W	160*110 mm		2100 Lm
CL-6025-**	25 W	160*110 mm		2600 Lm

MISCELLANEOUS SPECIFICATIONS

Energy Class	Mains Voltage	Frequency	Safety Class	Operational Temp.	Rated Service Life (H)
+A	220 - 240 V AC	50 / 60 Hz	II	-20° C / + 50° C	50.000 Hrs