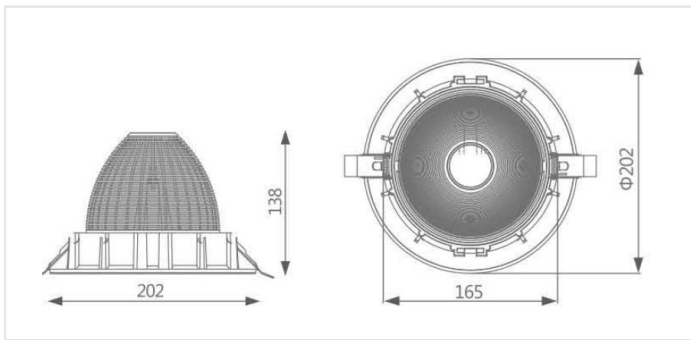


APPLICATION



DIMENSIONS



PHYSICAL CHARACTERISTICS

Installation	Recessed Mounted
Cut - out Size	165 mm
Depth / Height	138 mm
Length	n/a
Width / Diameter	202 mm
Reflector/Diffuser	Aluminium Reflector
Adjustability	Adjustable
IP - Rating	IP 20
IK - Rating	IK 02
Fixture Material	Die Cast Aluminium
Standard Finish	Ral 9010 Pure white
Custom Colour	Available

ELECTRICAL / PHOTOMETRIC DATA

Light Source	COB - Cree (2530)
Chromaticity Tolerance	3 - Step Mac Adams
Nominal Power	44W
Nom Luminous Flux	6366Lm
Nominal Efficacy System	144 Lm / W
Power Luminaire	44W
Luminous Flux System	4884Lm
Efficacy	111 Lm/W
Color Rendition	Ra >80
Color Temperature Options	3000K / 4000K / 5700K
Beam Angle	40° 24° 15°
Glare Control	UGR < 20

DRIVER OPTIONS / SPECIFICATIONS

Code	Power	Driver	Efficiency	Out put Current	Power Factor
CL-0923-LED-**-PH-0*	44W	Philips-CertaDrive 44W 0.9/1.05A 42V 230V I TCI-Proflat40 Lifud-LF-GIF040YA II	>80%	1050 mA	>0.9
CL-0923-LED-**-TCI-0*			>90%	1050 mA	>0.95
CL-0923-LED-**-LIF-0*			>90%	1050 mA	>0.95

MISCELLANEOUS SPECIFICATIONS

Energy Class	Mains Voltage	Frequency	Safety Class	Operational Temp.	Rated Service Life (H)
A+	220 - 240 V AC	50 / 60 Hz	II	- 20° C / + 50° C	50.000 Hrs

**SPECIFICATIONS**

\*\*<<<3K/4K/6K  
3K<<<3000K  
4K<<<4000K  
6K<<<5700K

\*<<<1/2  
1<<<Black  
2<<<White