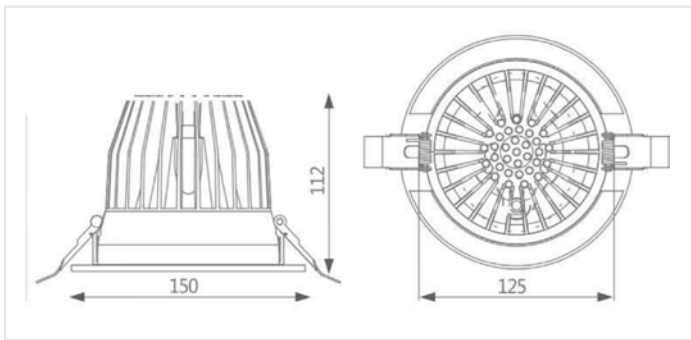


APPLICATION



DIMENSIONS



PHYSICAL CHARACTERISTICS

Installation	Recessed Mounted
Cut - out Size	125 mm
Depth / Height	112mm
Length	n/a
Width / Diameter	150 mm
Reflector/Diffuser	Aluminium Reflector
Adjustability	Non-Adjustable
IP - Rating	IP 20
IK - Rating	IK 02
Fixture Material	Die Cast Aluminium
Standard Finish	Ral 9010 Pure white
Custom Colour	Available

ELECTRICAL / PHOTOMETRIC DATA

Light Source	COB - Cree (1820)
Chromaticity Tolerance	3 - Step Mac Adams
Nominal Power	32W
Nom Luminous Flux	4700Lm
Nominal Efficacy System	147Lm / W
Power Luminaire	34W
Luminous Flux System	3978 Lm
Efficacy	117 Lm/W
Color Rendition	Ra >80
Color Temperature Options	3000K / 4000K / 5700K
Beam Angle	40° 24° 15°
Glare Control	UGR < 20

DRIVER OPTIONS / SPECIFICATIONS

Code	Power	Driver	Efficiency	Out put Current	Power Factor
CL-0916-LED-**-PH-0*	34W	Philips-CertaDrive 34W 0.7/0.8A 42V 230V I TCI-Proflat30	>88%	800mA	>0.9
CL-0916-LED-**-TCI-0*			>89%	800mA	>0.95

MISCELLANEOUS SPECIFICATIONS

Energy Class	Mains Voltage	Frequency	Safety Class	Operational Temp.	Rated Service Life (H)
A+	220 - 240 V AC	50 / 60 Hz	II	- 20° C / + 50° C	50.000 Hrs

**SPECIFICATIONS**

\*\*<<<3K/4K/6K  
 3K<<3000K  
 4K<<4000K  
 6K<<5700K

\*<<<1/2  
 1<<Black  
 2<<White