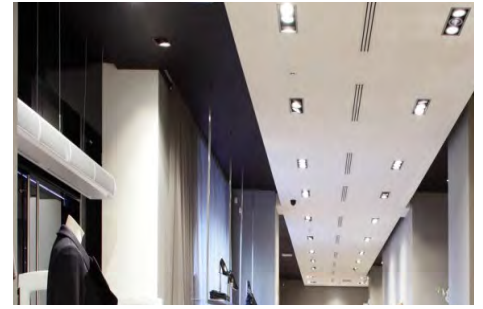
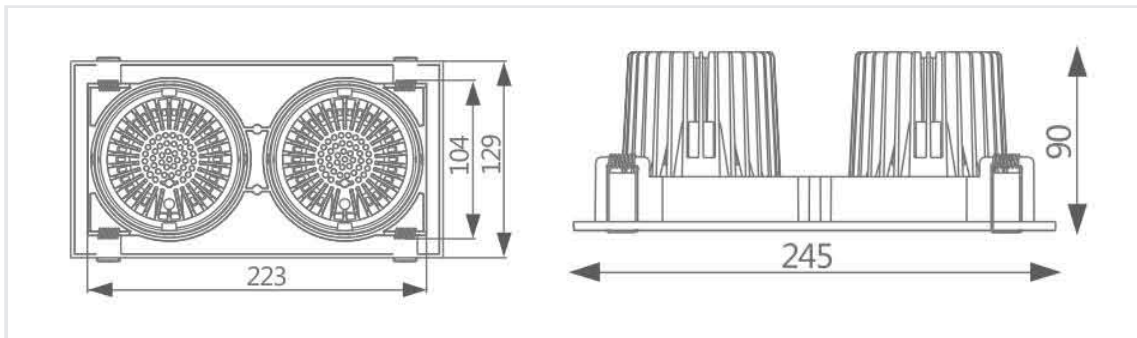


APPLICATION



DIMENSIONS



PHYSICAL CHARACTERISTICS

Installation	Recessed Mounted
Cut - out Size	223 mm
Depth / Height	90mm
Length	245mm
Width / Diameter	129 mm
Reflector/Diffuser	Aluminium Reflector /Transparent
Adjustability	Adjustable
IP - Rating	IP 20
IK - Rating	IK 02
Fixture Material	Die Cast Aluminium
Standard Finish	Body Ral 9010 Pure white
Custom Colour	Available

ELECTRICAL / PHOTOMETRIC DATA

Light Source	COB - Cree (1820)
Chromaticity Tolerance	3 - Step Mac Adams
Nominal Power	2*34 W / 2*25W
Nom Luminous Flux	4998 Lm / 3675Lm
Nominal Efficacy System	147 Lm / W
Power Luminaire	34W / 50 W
Luminous Flux System	2*3978Lm / 2*2925Lm
Efficacy	117 Lm/W
Color Rendition	Ra >80
Color Temperature Options	3000K / 4000K / 5700K
Beam Angle	40° 24° 15°
Glare Control	UGR < 20

DRIVER OPTIONS / SPECIFICATIONS

Code	Power	Driver	Efficiency	Out put Current	Power Factor
CL-0900-LED-**-PH-0* CL-0900-LED-**-TCI-0*	2*34W	Philips-CertaDrive 34W 0.7/0.8A 42V 230V I TCI-Proflat40	>89% >90%	800mA 800mA	>0.9 >0.95
CL-0900-S-LED-**-PH-0* CL-0900-S-LED-**-TCI-0*	2*25W	Philips-Certa Drive 25W 0.5/0.6A 42V 230V I TCI-Proflat30	>87% >90%	500mA 500mA	>0.9 >0.95

MISCELLANEOUS SPECIFICATIONS

Energy Class	Mains Voltage	Frequency	Safety Class	Operational Temp.	Rated Service Life (H)
A+	220 - 240 V AC	50 / 60 Hz	II	- 20° C / + 50° C	50.000 Hrs

SPECIFICATIONS

**<<<3K/4K/6K
3K<<3000K
4K<<4000K
6K<<5700K

*<<<1/2
1<<Black
2<<White