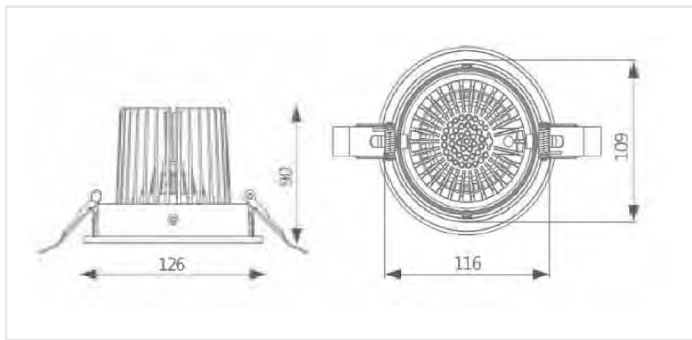


APPLICATION



DIMENSIONS



PHYSICAL CHARACTERISTICS

Installation	Recessed Mounted
Cut - out Size	116 mm
Depth / Height	90mm
Length	n/a
Width / Diameter	126 mm
Reflector/Diffuser	Aluminium Reflector
Adjustability	Adjustable
IP - Rating	IP 20
IK - Rating	IK 02
Fixture Material	Die Cast Aluminium Body
Standard Finish	Ral 9010 Pure white
Custom Colour	Available

ELECTRICAL / PHOTOMETRIC DATA

Light Source	COB - Cree (1820)
Chromaticity Tolerance	3 - Step Mac Adams
Nominal Power	32W
Nom Luminous Flux	4700Lm
Nominal Efficacy System	147 Lm / W
Power Luminaire	34W
Luminous Flux System	3560 Lm
Efficacy	105 Lm/W
Color Rendition	Ra >80
Color Temperature Options	3000K / 4000K / 5700K
Beam Angle	40° 24° 15°
Glare Control	UGR < 20

DRIVER OPTIONS / SPECIFICATIONS

Code	Power	Driver	Efficiency	Output Current	Power Factor
CL-08Jì -LED-**-PH-0*Á	34W	Philips-CertaDrive 34W 0.7/0.8A 42V 230V I	>88%	800mA	>0.9
CL-08Jì -LED-**-TCI-0*Á		TCL-Proflat40	>89%	800mA	>0.95

MISCELLANEOUS SPECIFICATIONS

Energy Class	Mains Voltage	Frequency	Safety Class	Operational Temp.	Rated Service Life (H)
A+	220 - 240 V AC	50 / 60 Hz	II	- 20° C / + 50° C	50.000 Hrs

SPECIFICATIONS

**<<<3K/4K/6K
 3K<<3000K
 4K<<4000K
 6K<<5700K

*<<<1/2
 1<<Black
 2<<White