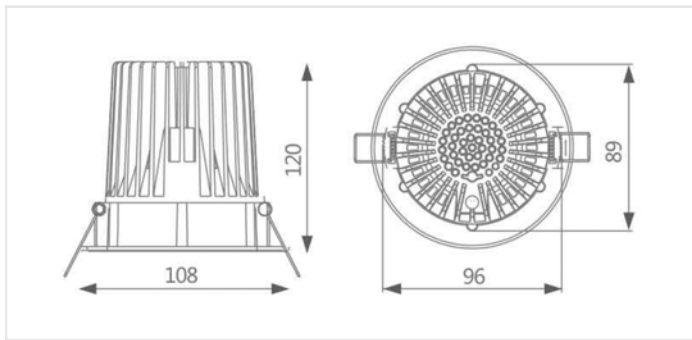


APPLICATION



DIMENSIONS



PHYSICAL CHARACTERISTICS

Installation	Recessed Mounted
Cut - out Size	89 mm
Depth / Height	120mm
Length	n/a
Width / Diameter	108 mm
Reflector/Diffuser	Aluminium Reflector
Adjustability	Non-Adjustable
IP - Rating	IP 20
IK - Rating	IK 02
Fixture Material	Die Cast Aluminium
Standard Finish	Ral 9010 Pure white
Custom Colour	Available

ELECTRICAL / PHOTOMETRIC DATA

Light Source	COB - Cree (1820)
Chromaticity Tolerance	3 - Step Mac Adams
Nominal Power	25W / 32 W
Nom Luminous Flux	3675Lm / 4704 Lm
Nominal Efficacy System	147 Lm / W
Power Luminaire	25W / 32 W
Luminous Flux System	2925 Lm / 3744 Lm
Efficacy	117 Lm/W
Color Rendition	Ra >80
Color Temperature Options	3000K / 4000K / 5700K
Beam Angle	40° 24° 15°
Glare Control	UGR < 20

DRIVER OPTIONS / SPECIFICATIONS

Code	Power	Driver	Efficiency	Out put Current	Power Factor
CL-0887-LED-**-PH-0*	25W	Philips- Certa Drive 25W 0.5/0.6A 42V 230V I	>87%	600mA	>0.9
CL-0887-LED-**-TCI-0*		TCI-Proflat30	>90%	600mA	>0.95
CL-0887-LED-**-LIF-0*		Lifud-LF-GIF030YA0600	>90%	600mA	>0.95
CL-0887-L-LED-**-PH-0*	32W	Philips-CertaDrive 34W 0.7/0.8A 42V 230V I	>89%	800mA	>0.9
CL-0887-L-LED-**-TCI-0*		TCI-Proflat40	>90%	800mA	>0.95

MISCELLANEOUS SPECIFICATIONS

Energy Class	Mains Voltage	Frequency	Safety Class	Operational Temp.	Rated Service Life (H)
A+	220 - 240 V AC	50 / 60 Hz	II	- 20° C / + 50° C	50.000 Hrs

SPECIFICATIONS

**<<<3K/4K/6K
 3K<<3000K
 4K<<4000K
 6K<<5700K
 *<<<1/2
 1<<Black
 2<<White