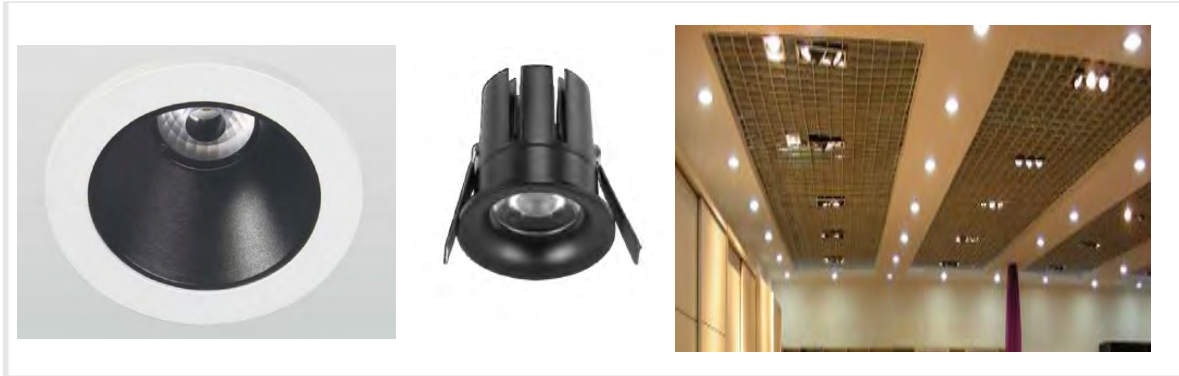
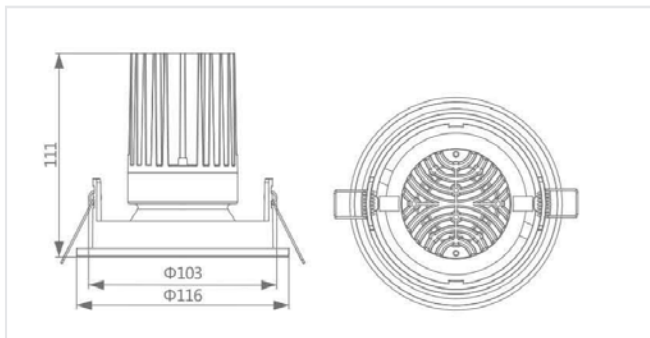


APPLICATION



DIMENSIONS



PHYSICAL CHARACTERISTICS

Installation	Recessed Mounted
Cut - out Size	103 mm
Depth / Height	111mm
Length	n/a
Width / Diameter	116 mm
Reflector/Diffuser	Aluminium Reflector
Adjustability	Non-Adjustable
IP - Rating	IP 65
IK - Rating	IK 02
Fixture Material	Die Cast Aluminium Body
Standard Finish	Ral 9010 Pure white
Custom Colour	Available

ELECTRICAL / PHOTOMETRIC DATA

Light Source	COB - Cree (1512)
Chromaticity Tolerance	3 - Step Mac Adams
Nominal Power	15W / 12W
Nom Luminous Flux	2160Lm / 1728 Lm
Nominal Efficacy System	144 Lm / W
Power Luminaire	15W / 12W
Luminous Flux System	1605Lm / 1260Lm
Efficacy	105 Lm/W
Color Rendition	Ra >80
Color Temperature Options	3000K / 4000K / 5700K
Beam Angle	40°[24°]15°
Glare Control	UGR < 20

DRIVER OPTIONS / SPECIFICATIONS

Code	Power	Driver	Efficiency	Out put Current	Power Factor
CL-0870-LED-**-VS-0*	15W	V.Schwabe - EXCe 300.379	>87%	350mA	>0.9
CL-0870-LED-**-TCI-0*		TCI - Proflat22	>89%		>0.95
CL-0870-LED-**-LIF-0*		Lifud - LFGIF015YA0350H	>83%		>0.9
CL-0870-S-LED-**-VS-0*	12W	V.Schwabe - EXCe 350.380	>86%	300mA	>0.9
CL-0870-S-LED-**-TCI-0*		TCI - Proflat22	>89%		>0.95
CL-0870-S-LED-**-LIF-0*		Lifud - LFGIF015YA0300H	>83%		>0.9

MISCELLANEOUS SPECIFICATIONS

Energy Class	Mains Voltage	Frequency	Safety Class	Operational Temp.	Rated Service Life (H)
A+	220 - 240 V AC	50 / 60 Hz	II	- 20° C / + 50° C	50.000 Hrs

SPECIFICATIONS

**<<<3K/4K/6K
 3K<<<3000K
 4K<<<4000K
 6K<<<5700K

*<<<1/2
 1<<<Black
 2<<<White