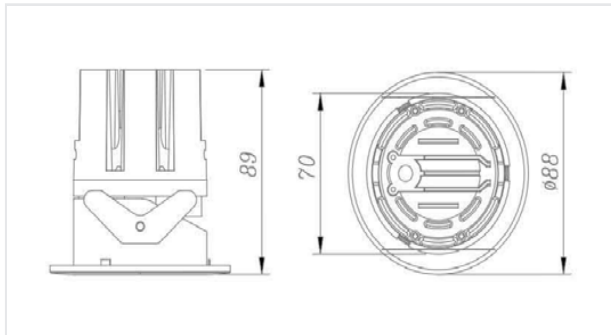


APPLICATION



DIMENSIONS



PHYSICAL CHARACTERISTICS

Installation	Recessed Mounted
Cut - out Size	70 mm
Depth / Height	89 mm
Length	n/a
Width / Diameter	88 mm
Reflector/Diffuser	Aluminium Reflector
Adjustability	Adjustable
IP - Rating	IP 20
IK - Rating	IK 02
Fixture Material	Die Cast Aluminium Body
Standard Finish	Ral 9010 Pure white
Custom Colour	Available

ELECTRICAL / PHOTOMETRIC DATA

Light Source	COB Chip - Cree (1507)
Chromaticity Tolerance	3 - Step Mac Adams
Nominal Power	12W
Nom Luminous Flux	1720Lm
Nominal Efficacy System	144 Lm / W
Power Luminaire	12W
Luminous Flux System	1260 Lm
Efficacy	105 Lm/W
Color Rendition	Ra >80
Color Temperature Options	3000K / 4000K / 5700K
Beam Angle	40° 24° 15°
Glare Control	UGR < 20

DRIVER OPTIONS / SPECIFICATIONS

Code	Power	Driver	Efficiency	Out put Current	Power Factor
CL-0852-LED-**-VS-0*	12W	V.Schwabe - EXCe 300.379	>86%	300mA	>0.9
CL-0852-LED-**-TCI-0*		TCI-Proflat22	>89%		>0.95
CL-0852-LED-**-LIF-0*		Lifud-LFGIF015YA0300H	>83%		>0.9

MISCELLANEOUS SPECIFICATIONS

Energy Class	Mains Voltage	Frequency	Safety Class	Operational Temp.	Rated Service Life (H)
A+	220 - 240 V AC	50 / 60 Hz	II	- 20° C / + 50° C	50.000 Hrs

SPECIFICATIONS

\*\*<<<3K/4K/6K  
 3K<<<3000K  
 4K<<<4000K  
 6K<<<5700K

\*<<<1/2  
 1<<Black  
 2<<White