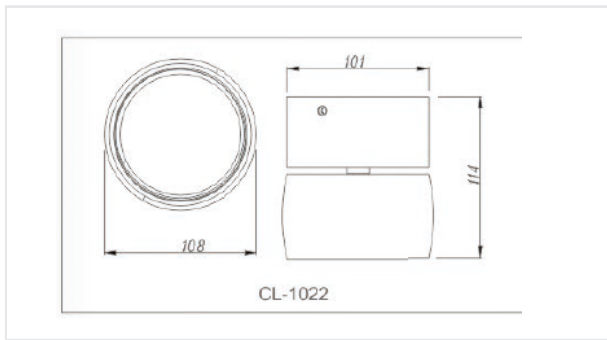


APPLICATION



DIMENSIONS



PHYSICAL CHARACTERISTICS

Installation	Surface Mounted
Cut - out Size	None
Depth / Height	114 mm
Length	None
Width / Diameter	108 mm
Reflector/Diffuser	Aluminium Reflector
Adjustability	Adjustable
IP - Rating	IP 20
IK - Rating	IK 02
Fixture Material	Die Cast Aluminium
Standard Finish	Ral 9010 Pure
Custom Colour	white Available

ELECTRICAL / PHOTOMETRIC DATA

Light Source	COB - Cree (1512)
Chromaticity Tolerance	3 - Step Mac Adams
Input Current	500 mA
Nominal Power	20W
Nom Luminous Flux	2940Lm
Nominal Efficacy	147 Lm / W
System Power	20W
Luminaire Luminous Flux	2220 Lm
System Efficacy	110 Lm/W
Color Rendition	Ra >80
Color Temperature Options	3000K / 4000K / 5700K
Beam Angle	40° 24° 15°
Glare Control	UGR < 20

DRIVER OPTIONS / SPECIFICATIONS

Code	Power	Driver	Efficiency	Out put Current	Power Factor
CL-1022-LED-**-PH-0*	20 W	Philips-Certa Drive 25W 0.5/0.6A 42V 230V I	>87%	500 mA	0.9%
CL-1022-LED-**-TCI-0*		TCI-Proflat30	>90%	500 mA	0.95%
CL-1022-LED-**-LIF-0*		Lifud-LF-GIF030YA II	>90%	500 mA	0.95%

MISCELLANEOUS SPECIFICATIONS

Energy Class	Mains Voltage	Frequency	Safety Class	Operational Temp.	Rated Service Life (H)
A+	220 - 240 V AC	50 / 60 Hz	II	- 20° C / + 50° C	50.000 Hrs

SPECIFICATIONS

**<<<3K/4K/6K
 3K<<3000K
 4K<<4000K
 6K<<5700K

*<<<1/2
 1<<Black
 2<<White