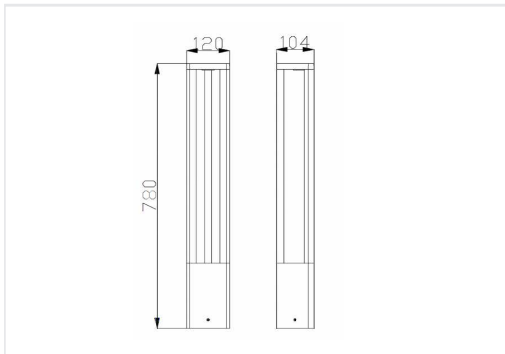


APPLICATION



DIMENSIONS



PHYSICAL CHARACTERISTICS

Installation	Bollard Mounted
Height	780mm
Length	120mm
Width/Diameter	104mm
IP-Rating	IP 65
Material Standard	Die Cast Aluminum
Finish Custom	Electrostatic Painted
Colour	Grey

ELECTRICAL / PHOTOMETRIC DATA

Light Source	LED COB CREE
Color Rendering Index	Ra>80
Color Temperature	3000k
Glare Control	UGR<20
Diffuser	Opal Polycarbonate
Power Factor	0.95

SPECIFICATIONS

Code	Power	Total Luminous Flux	System Efficacy
BLD 96	10W	720Lm	72Lm/w

MISCELLANEOUS SPECIFICATIONS

Energy Class	Mains Voltage	Frequency	Safety Class	Operational Temp	Rated Service Life
A+	220V – 240V AC	50/60 HZ	II	- 25°C / + 50° C	30.000Hrs