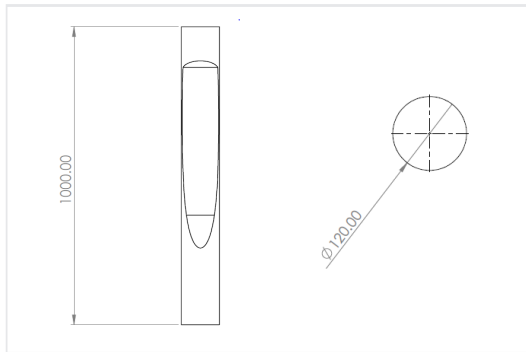


APPLICATION



DIMENSIONS



PHYSICAL CHARACTERISTICS

Installation	Bollard Mounted
Height	1000mm
Diameter	120 mm
IP-Rating	IP 65
IK-Rating	IK 05
Material Standard	Die Cast Aluminum
Finish Custom	Electrostatic Painted
Color	Black/White

ELECTRICAL / PHOTOMETRIC DATA

Light Source	COB Led Chip
Chip Brand	Cree-CXA1507N
Driver Brand	Done DL-12W-MCC
Color Rendering Index	Ra>80
Color Temperature	3000K
Glare Control	UGR<20
Diffuser	Glass
Power Factor	>0.95

SPECIFICATIONS

Code	Power	Total Luminous Flux	System Efficacy
BLD-92-G2	8W	840 Lm	105 Lm/w

MISCELLANEOUS SPECIFICATIONS

Energy Class	Mains Voltage	Frequency	Safety Class	Operational Temp	Rated Service Life (H)
+A	220V – 240V AC	50 \ 60 Hz	II	- 25°C / + 50° C	30.000Hrs