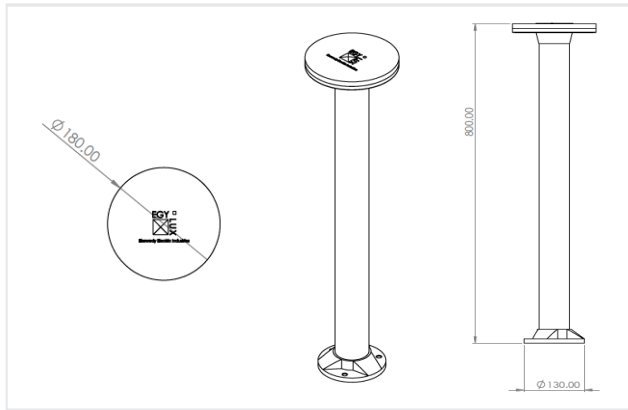


APPLICATION



DIMENSIONS



PHYSICAL CHARACTERISTICS

Installation	Bollard Mounted
Height	800 mm
Diameter	180 mm
IP-Rating	IP 65
IK-Rating	IK 08
Material Standard	Die Cast Aluminum
Finish Custom	Electrostatic Painted
Color	Black

ELECTRICAL / PHOTOMETRIC DATA

Light Source	Cree-SMD chip-2835
Driver Brand	Done-DL-12W-C300-MCC
Color Rendering Index	Ra>80
Color Temperature	4000K
Glare Control	UGR<20
Diffuser	PolyCarbonate
Power Factor	>0.95

SPECIFICATIONS

Code	Power	Total Luminous Flux	System Efficacy
BLD-85	10 W	1710 Lm	117 Lm/w

MISCELLANEOUS SPECIFICATIONS

Energy Class	Mains Voltage	Frequency	Safety Class	Operational Temp	Rated Service Life (H)
+A	100V – 240V AC	50/60 HZ	II	-25°C / + 50° C	30.000Hrs