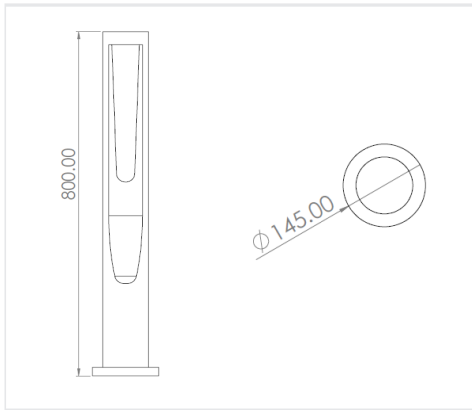


APPLICATION



DIMENSIONS



PHYSICAL CHARACTERISTICS

Installation	Bollard Mounted
Height	800mm
Diameter	145 mm
IP-Rating	IP 65
IK-Rating	IK 08
Material Standard	Die Cast Aluminum
Finish Custom	Electrostatic Painted
Color	Black

ELECTRICAL / PHOTOMETRIC DATA

Light Source	COB Led Chip
Chip Brand	Cree-CXA1507N
Color Rendering Index	Ra>80
Color Temperature	3000K
Glare Control	UGR<20
Diffuser	Glass
Power Factor	>0.95

SPECIFICATIONS

Code	Power	Total Luminous Flux	System Efficacy
BLD-100	12 W	1260 Lm	105 Lm/w

MISCELLANEOUS SPECIFICATIONS

Energy Class	Mains Voltage	Frequency	Safety Class	Operational Temp	Rated Service Life (H)
+A	100V – 240V AC	50 \ 60 Hz	II	-25°C / + 50° C	30.000Hrs