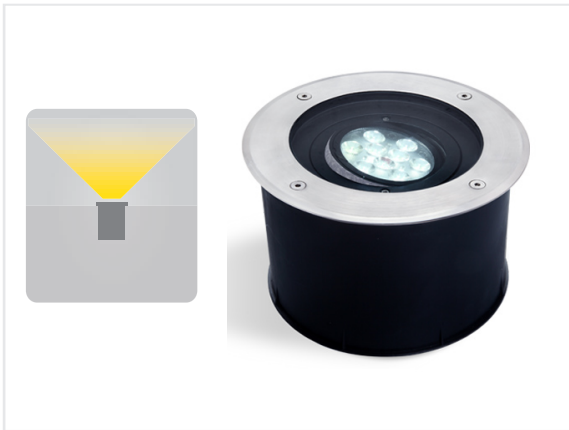
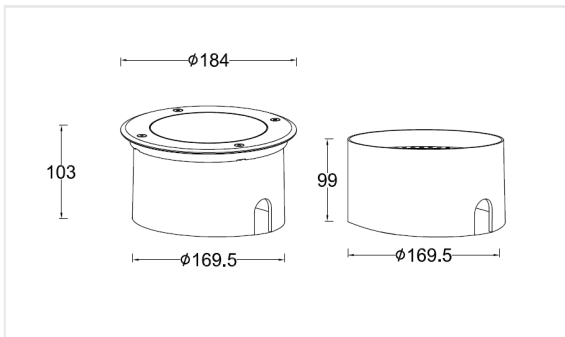


APPLICATION



DIMENSIONS



PHYSICAL CHARACTERISTICS

Installation	Ground Mounted
Height	103mm
Diameter	184mm
IP-Rating	IP 67
IK-Rating	IK 10
Material Standard	Die Cast Aluminum+stainless frame

ELECTRICAL / PHOTOMETRIC DATA

Light Source	Osram SMD chip
Driver Brand	Eagle Rise
Color Rendering Index	Ra >80
Color Temp.	3000K -4000K - 5700K
Glare Control	UGR < 20
Diffuser	Glass

SPECIFICATIONS

Code	Power	Total Luminous Flux	System Efficacy
7038-*	27 W	2430 lm	90 Lm/w

MISCELLANEOUS SPECIFICATIONS

Energy Class	Mains Voltage	Frequency	Safety Class	Operational Temp.	Rated Service Life (H)
A+	220 - 240 VAC	50 / 60 Hz	II	-20° C / + 50° C	30.000 Hrs