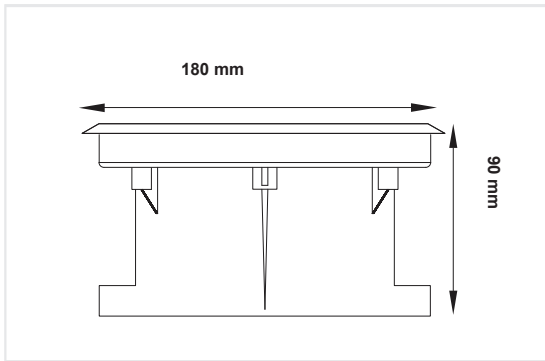


APPLICATION



DIMENSIONS



PHYSICAL CHARACTERISTICS

Installation	Floor Recessed
Height	90mm
Diameter	180mm
IP-Rating	IP 67
IK-Rating	IK 10
Material Standard	Die-cast Aluminium with Stainless steel frame

ELECTRICAL / PHOTOMETRIC DATA

Light Source	Cree LED Chip
Color Rendering Index	Ra >80
Color Temp.	3000K
Glare Control	UGR < 20
Diffuser	Glass Diffuser
Driver Brand	Done

SPECIFICATIONS

Code	Power	Total Luminous Flux	System Efficacy
7020-G2	20 W	1800 Lm	90 Lm/w

MISCELLANEOUS SPECIFICATIONS

Energy Class	Mains Voltage	Frequency	Safety Class	Operational Temp.	Rated Service Life (H)
+A	220 - 240 vAC	50 / 60 Hz	II	-20° C / + 50° C	50.000 Hrs