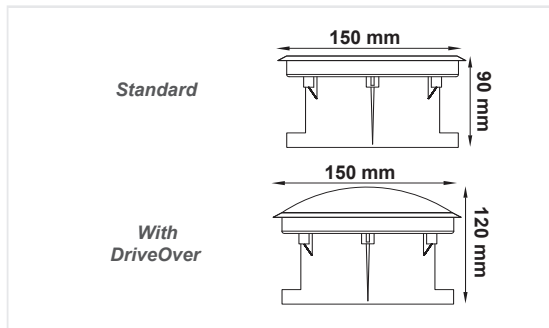


APPLICATION



DIMENSIONS



PHYSICAL CHARACTERISTICS

Installation	Mounted
Height	90mm -120mm (DriveOver)
Diameter	150mm
IP-Rating	IP 67
IK-Rating	IK 10
Material Standard	Die Cast Aluminum+stainless frame

ELECTRICAL / PHOTOMETRIC DATA

Light Source	CREE LED Chip
Color Rendering Index	Ra >80
Color Temp.	3000K
Glare Control	UGR < 20
Diffuser	Glass Diffuser

SPECIFICATIONS

Code	Power	Total Luminous Flux	System Efficacy
7010-G2	10 W	900 lm	90Lm/w

MISCELLANEOUS SPECIFICATIONS

Energy Class	Mains Voltage	Frequency	Safety Class	Operational Temp.	Rated Service Life (H)
A+	220 - 240 AC	50 / 60 Hz	II	-20° C / + 50° C	50.000 Hrs