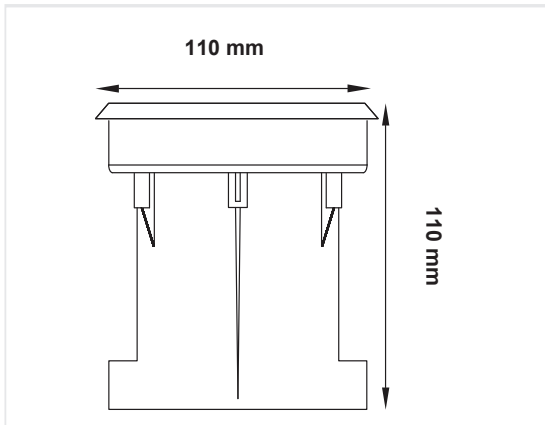


**APPLICATION**



**DIMENSIONS**



**PHYSICAL CHARACTERISTICS**

Installation	Floor Recessed
Height	110 mm
Width/Diameter	110 mm
IP-Rating	IP 67
IK-Rating	IK 10
Material Standard	Die-cast Aluminium with Stainless steel frame

**ELECTRICAL / PHOTOMETRIC DATA**

Light Source	Cree Led Chip - SMD
Driver Brand	Glitter Driver
Color Rendering Index	Ra >80
Color Temp.	3000K
Glare Control	UGR < 20
Diffuser / Reflector	Glass Diffuser

**SPECIFICATIONS**

Code	Power	Total Luminous Flux	System Efficacy
7003-G2	3 W	270 Lm	90 Lm/w

**MISCELLANEOUS SPECIFICATIONS**

Energy Class	Mains Voltage	Frequency	Safety Class	Operational Temp.	Rated Service Life (H)
+A	220 - 240 VAC	50 / 60 Hz	II	-20° C / + 50° C	50.000 Hrs