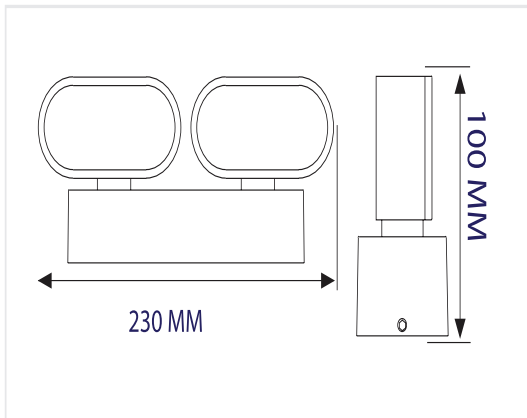


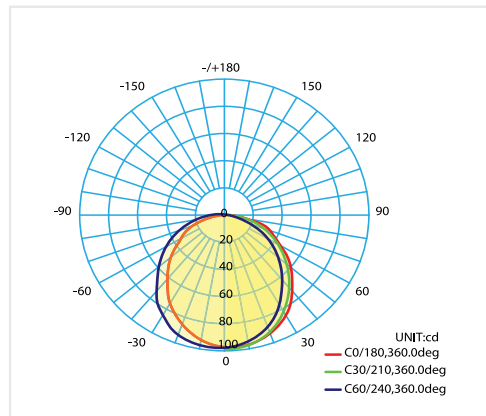
APPLICATION



DIMENSIONS



PHOTOMETRIC



PHYSICAL CHARACTERISTICS

Installation	Wall Mounted
Height	100 mm
Length	230 mm
Width	50 mm
IP - Rating	IP 65
Material Standard	Die Cast Aluminum
Finish Custom	Electrostatic Coated
Color	Available

ELECTRICAL / PHOTOMETRIC DATA

Light Source	LED Chip SMD
Chip Brand	Cree
Color Rendering Index	> 80
Color Temp.	3000K
Glare Control	UGR < 20
Diffuser	PMMA
Power Factor	> 0.95
Driver Brand	Done

SPECIFICATIONS

Code	Power	Total Luminous Flux	System Efficacy
6082-G2	13 W	650 Lm	50 Lm/W

MISCELLANEOUS SPECIFICATIONS

Energy Class	Mains Voltage	Frequency	Safety Class	Operational Temp.	Rated Service Life (H)
A+	220 - 240 V AC	50 / 60 Hz	II	-25° C / + 50° C	50.000 Hrs