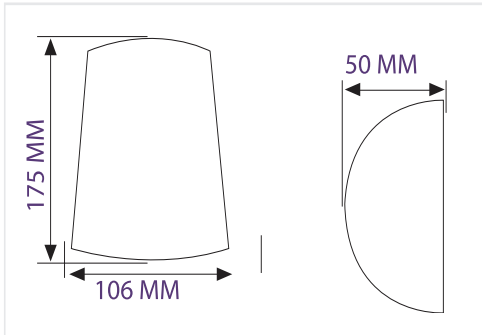


APPLICATION



DIMENSIONS



PHYSICAL CHARACTERISTICS

Installation	Wall Mounted
Depth / Height	50mm
Length	175mm
Width / Diameter	106mm
IP - Rating	IP 54
Material Standard	Die Cast Aluminium
Finish Custom	Electrostatic Painted
Color	Available

ELECTRICAL / PHOTOMETRIC DATA

Light Source	Cree - COB
Color Rendering Index	Ra >80
Color Temperature	3000K-4000K-6000K
Power Factor	>0.95
Glare Control	UGR<20
Diffuser	Glass

SPECIFICATIONS

Code	Power	Total Luminous Flux	System Efficacy
6070	7 W	350 Lm	50 Lm/W

MISCELLANEOUS SPECIFICATIONS

Energy Class	Mains Voltage	Frequency	Safety Class	Operational Temp.	Rated Service Life (H)
A+	220 - 240 V AC	50 / 60 Hz	II	-25° C / + 50° C	30.000 Hrs