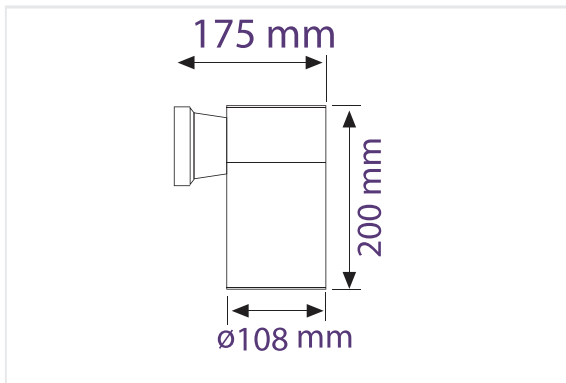


APPLICATION



DIMENSIONS



PHYSICAL CHARACTERISTICS

Installation	Wall Mounted
Depth / Height	175mm
Length	200mm
Width / Diameter	108mm
IP - Rating	IP 54
Material Standard	Die Cast Aluminum
Finish Custom	Electrostatic Painted
Color	Available

ELECTRICAL / PHOTOMETRIC DATA

Light source	Led Lamp /E27
Color Rendering Index	Ra >80
Color Temp	3000K
Power Factor	95.>
Glare Control	UGR < 20
Reflector	Aluminium
Diffuser	Glass

SPECIFICATIONS

Code	Power	Total Luminous Flux	Lamp Efficacy
6033	9W	900Lm	100lm/W
	12W	1055Lm	
	15W	1500Lm	

MISCELLANEOUS SPECIFICATIONS

Energy Class	Mains Voltage	Frequency	Safety Class	Operational Temp.	Rated Service Life (H)
A+	220 - 240 V AC	50 / 60 Hz	II	-10° C / +45° C	25.000 Hrs