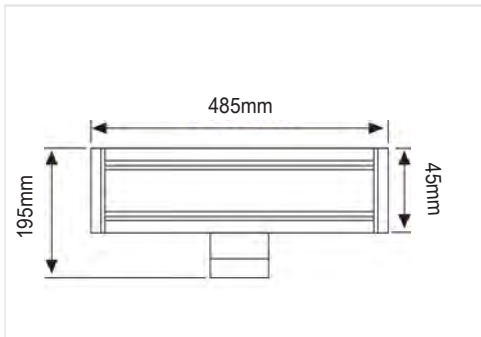


APPLICATION



DIMENSIONS



PHYSICAL CHARACTERISTICS

Installation	Wall Mounted
Depth / Height	195mm
Length	485mm
Width / Diameter	45mm
IP - Rating	IP 54
Material Standard	Die Cast Aluminum
Finish Custom	Electrostatic Painted
Colour	Black/ Grey

ELECTRICAL / PHOTOMETRIC DATA

Chip Type	COB-Cree chip
Driver type	DONE
Color Rendering Index	Ra >80
Color Temperture	3000K
Power Factor	>.95
Glare Control	UGR < 20

SPECIFICATIONS

Code	Power	Total Luminous Flux	System Efficacy
6030-COB	2*15 W	2*1350 lm	90 lm/W

MISCELLANEOUS SPECIFICATIONS

Energy Class	Mains Voltage	Frequency	Safety Class	Operational Temp.	Rated Service Life (H)
A+	220 - 240 V AC	50 / 60 Hz	II	-20° C / + 50° C	50.000 Hrs