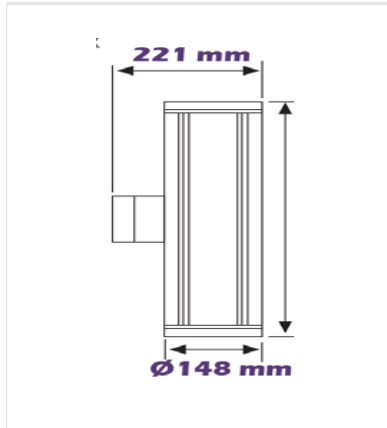


APPLICATION



DIMENSIONS



PHYSICAL CHARACTERISTICS

Installation	Wall Mounted
Depth / Height	221mm
Length	320mm
Width / Diameter	148mm
IP - Rating	IP 54
Material Standard	Die Cast Aluminum
Finish Custom	Electrostatic Painted
Color	Black/Gray/White

ELECTRICAL / PHOTOMETRIC DATA

Light Source	LED Lamp
Color Rendering Index	Ra >80
Color Temperature	3000K
Power Factor	0.95
Glare Control	UGR < 20
Reflector	Aluminum
Diffuser	Glass

SPECIFICATIONS

Code	Power	Lamp Luminous Flux	Lamp Efficacy
6030	2x9	2x900 Lm	100lm/W
	2x12	2x1055 L m	
	2x15	2x1521 Lm	

MISCELLANEOUS SPECIFICATIONS

Energy Class	Mains Voltage	Frequency	Safety Class	Operational Temp.	Rated Service Life (H)
A+	220 - 240 V AC	50 / 60 Hz	II	-10° C / + 45° C	25.000 Hrs