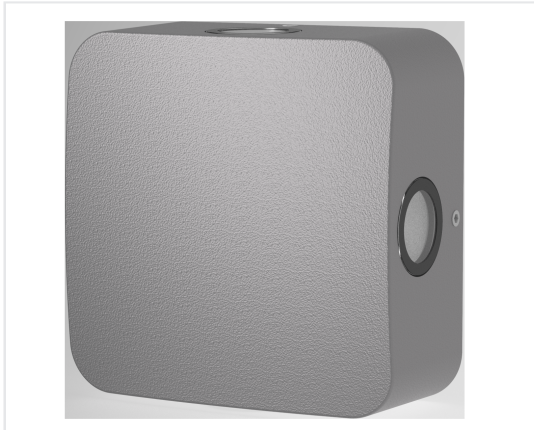
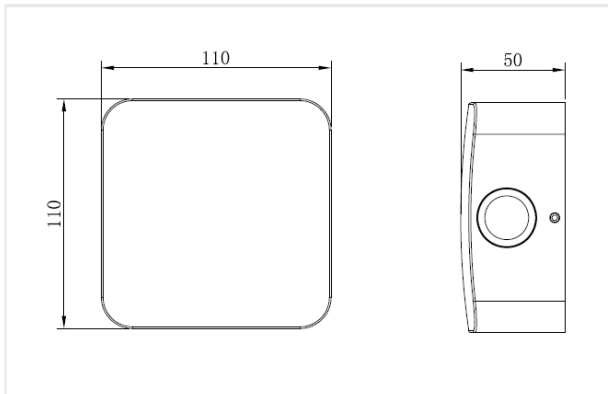


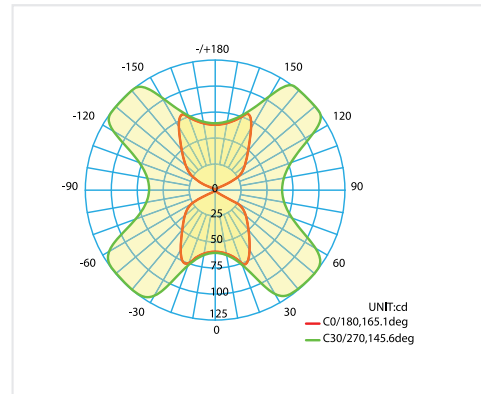
APPLICATION



DIMENSIONS



PHOTOMETRIC



PHYSICAL CHARACTERISTICS

Installation	Mounted
Height	50 mm
Length	110 mm
Width	110 mm
IP - Rating	IP 54
Material Standard	Die Cast Aluminum
Finish Custom	Electrostatic Powder Coating
Color	Available

ELECTRICAL / PHOTOMETRIC DATA

Light Source	LED Chip
Chip Brand	Epistar
Color Rendering Index	> 80
Color Temp.	3000K
Glare Control	UGR < 20
Diffuser	Glass
Power Factor	> 0.95

SPECIFICATIONS

Code	Power	Total Luminous Flux	System Efficacy
6020	4*1 W	4*90 LM	90 lm/w

MISCELLANEOUS SPECIFICATIONS

Energy Class	Mains Voltage	Frequency	Safety Class	Operational Temp.	Rated Service Life (H)
+A	220 - 240 V AC	50 / 60 Hz	II	-25° C / + 50° C	30.000 Hrs